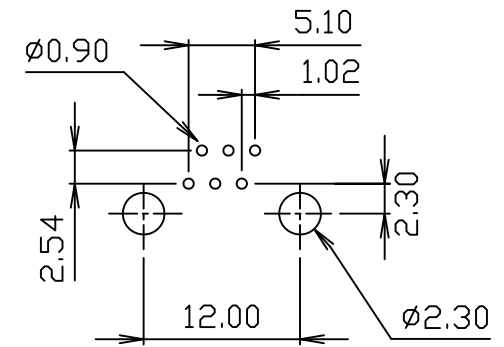


MATERIALS:

- HOUSING-PBT POLYESTER UL94V-0 MIXED GLASS FIBER. STANDARD COLOR-BLACK
- CONTACTS-0.45mm DIA. ROUND PHOS-BRONZE PLATED WITH HARD GOLD.

CAVITY CONFIRMS TO FCC RULES AND REGULATIONS



PC Board Layout

RoHS Compliant

TOLERANCES ARE

MORETHANALL
PCB CONNECTORS
Cable ASSEMBLIES

DRAWING BY CY

X, ±

CHECKED BY GENIUS

.X ± 0.25

UNIT / mm

SCALE 1 : 1

.XX ± 0.13

.XXX ± 0.05

DATE

ANG ±

煜倫股份有限公司

www.morethanall.com

SIZE A4

P PROJECTION



ORDER INFORMATION

MJ14L-KExx-0606-LF

SERIES

LEADFREE

6P6C

03:03u" GOLD

06:06u" GOLD

EAR

BLACK

DESCRIPTION: 6POSITION LOW PROFILE SIDE ENTRY PCB JACK