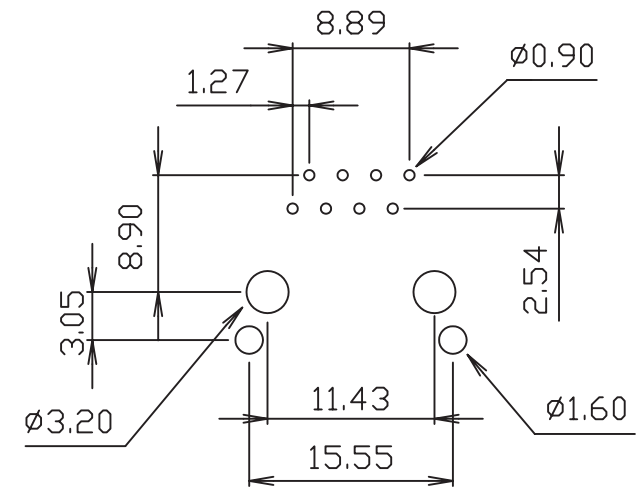
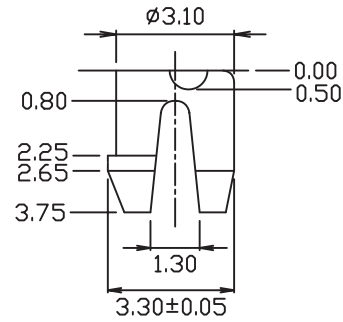
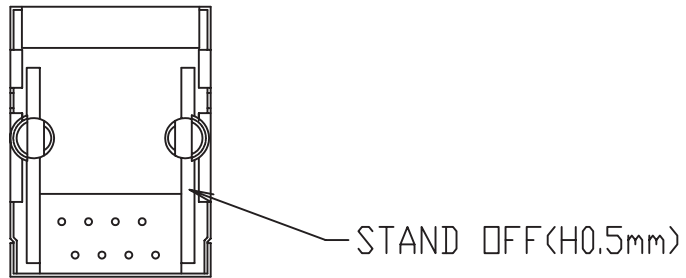


MATERIAL: HOUSING-PBT POLYESTER UL94V-0
 MIXED GLASS FIBER.
 STANDARD COLOR-BLACK
 CONTACTS-0.45mm DIA. PHOS-BRONZE
 PLATED WITH HARD GOLD.
 SHIELD-0.25mm THICK COPPER ALLOY,
 PLATED WITH TIN/LEAD OR NICKEL.
 CAVITY CONFIRMS TO FCC RULES AND REGULATIONS
 PART 68,SUBPART F.



MORETHANALL
 PCB CONNECTORS
 Cable ASSEMBLIES

煜倫股份有限公司

www.morethanall.com

RoHS Compliant

DRAWING BY CY

CHECKED BY GENIUS

UNIT/mm SCALE 1:1

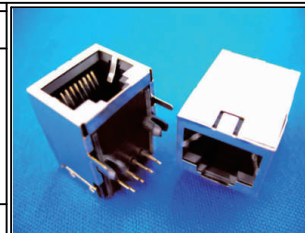
DATE

SIZE A4

TOLERANCES ARE

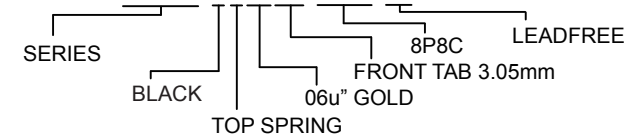
X, ±
 .X ± 0.25
 .XX ± 0.13
 .XXX ± 0.05
 ANG ±

P PROJECTION



ORDER INFORMATION

MJF13-KT06A3-0808-LF



DESCRIPTION: 8POSITION SHIELDED SIDE ENTRY PCB JACK