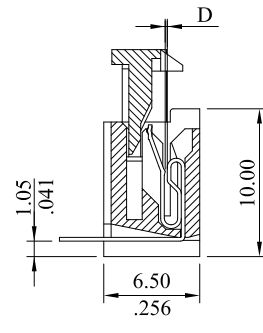
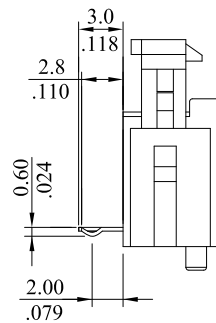
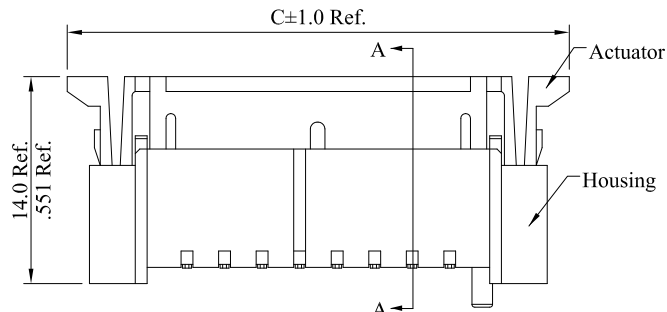
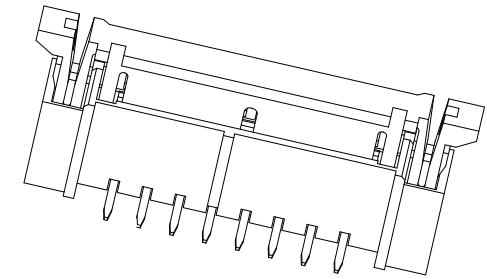
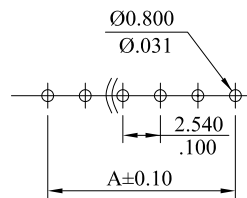
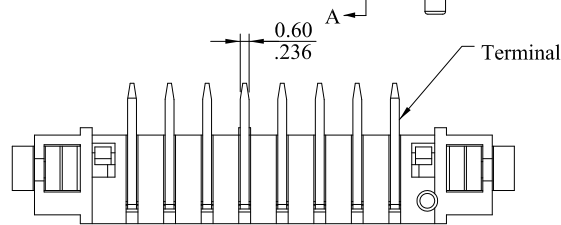


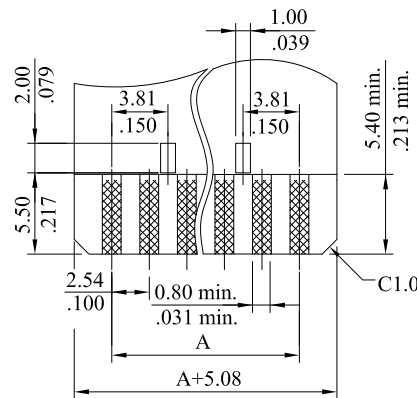
1. Material: Iserlater: PBT UL94V-0 Color: Black  
Metal: Pre-tinned Phosphoer bronze
2. Make kinks on the first and end terminal.
3. When the locking mechanism is in the open position dimension D is 0.20~0.30
4. When the locking mechanism is in the closed position dimension D is 0.000



Section A-A



PCB layout



FPC=0.10~0.20mm

20	48.26(1.900)	55.26(2.176)	64.44(2.538)
19	45.72(1.800)	52.72(2.076)	61.92(2.438)
18	43.18(1.700)	50.18(1.976)	59.38(2.338)
17	40.64(1.600)	47.64(1.876)	56.84(2.238)
16	38.10(1.500)	45.10(1.776)	54.30(2.138)
15	35.56(1.400)	42.56(1.676)	51.76(2.038)
14	33.02(1.300)	40.02(1.576)	49.22(1.938)
13	30.48(1.200)	37.48(1.476)	46.68(1.838)
12	27.94(1.100)	34.94(1.376)	44.14(1.738)
11	25.40(1.000)	32.40(1.276)	41.60(1.638)
10	22.86(.900)	29.86(1.176)	39.06(1.538)
9	20.32(.800)	27.32(1.076)	36.52(1.438)
8	17.78(.700)	24.78(.976)	33.98(1.338)
7	15.24(.600)	22.24(.876)	31.44(1.238)
6	12.70(.500)	19.70(.776)	28.90(1.138)
5	10.16(.400)	17.16(.676)	26.36(1.038)
CIRCUITS	DIM.A	DIM.B	DIM.C

3	ACTUATOR	PBT		1
2	HOUSING	PBT		1
1	TERMINAL	C5191 1/2H	Tin	*
NO.	NAME	MATERIAL	FINISH	QTY.

RoHS Compliant

TOLERANCES ARE

**MORETHANALL**  
PCB CONNECTORS  
Cable ASSEMBLIES

DRAWING BY CY

X, ±

CHECKED BY GENIUS

.X ±

UNIT / mm

SCALE 1 : 1

.XX ±

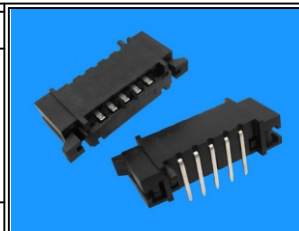
DATE

.XXX ±

SIZE A4

PPOJECTION

ANG ±



ORDER INFORMATION

FPC-RZAP-xx-LF

SERIES | | | LEADFREE  
| | | 05-20 WAY  
| | | POST  
| | | SINGLE CONTACT  
| | | ZIF  
| | | DIP 90°

DESCRIPTION: 2.54mm FPC connector

煜倫股份有限公司

www.morethanall.com