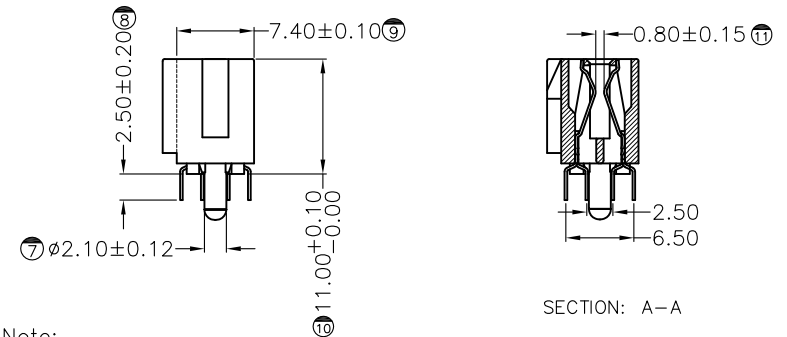


PCB LAYOUT

PIN數	A	B	C	D
36	7.65	6.00	25.00	9.15
64	21.65	20.00	39.00	23.15
98	38.65	37.00	56.00	40.15
164	71.65	70.00	89.00	73.15



SECTION: A-A

Note:

- 1:Electical Performance
  - 1.1.Dielectric Withstanding Voltabge: 500V/AC For 1.0 Minute.
  - 1.2.Contadt Resistance:30mΩ Max
  - 1.3.insulation Resistance:1000MΩ Min
  - 1.4.Current Rating:1.1A
- 2.Mechanical Performance.
  - 2.1.CONTACT INSERTION FORCE: 0.115Kg Max Per.Contact Pair.
  - 2.2.CONTACT WITHDRAWAL FORCE: 0.015Kg Min Per.Contact Pair.
  - 2.3.Terminal Retention Force (in housing): 0.5Kg Minper Terminal.
- 3.Material & Finish:
  - 3.1.Housing: NY-66(UL-94V-0), Black.
  - 3.2.Contact Plating: Tin Plating At Solder Tail Area; Gold Plating At Mating Area, All Over Nickel Plating.
- 4.Environmental:Operating Temperature: -55°C~+85°C

RoHS Compliant

TOLERANCES ARE

**MORETHANALL**  
PCB CONNECTORS  
Cable ASSEMBLIES

煜倫股份有限公司

www.morethanall.com

DRAWING BY CY

CHECKED BY GENIUS

UNIT / mm

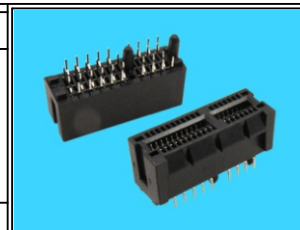
SCALE 1 : 1

DATE

SIZE A4

PPOJECTION

X, ±  
.X ± 0.20  
.XX ± 0.10  
.XXX ± 0.01  
ANG ± 3°



ORDER INFORMATION

PCIX-DP-xxx-LF  
SERIES | LEADFREE  
036~164WAY  
POST  
DIP 180°

DESCRIPTION: