

Dimension A&B

DIM A	N×5.0
DIM B	(N-1)×5.0


N=Number of contacts

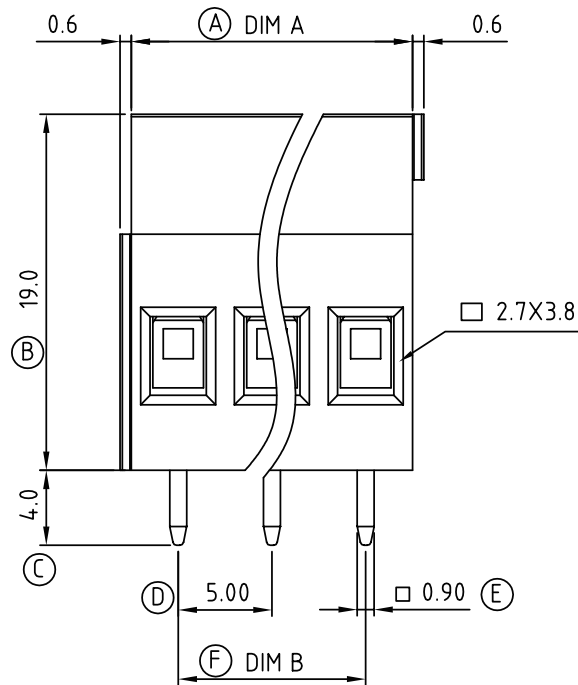
Poles	A&B Tolerance
2P-4P	±0.15
5P-8P	±0.25
9P-16P	±0.35
17P-24P	±0.40

Material:

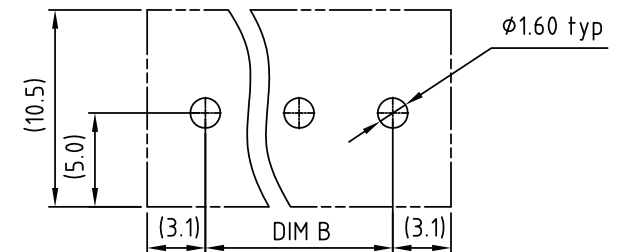
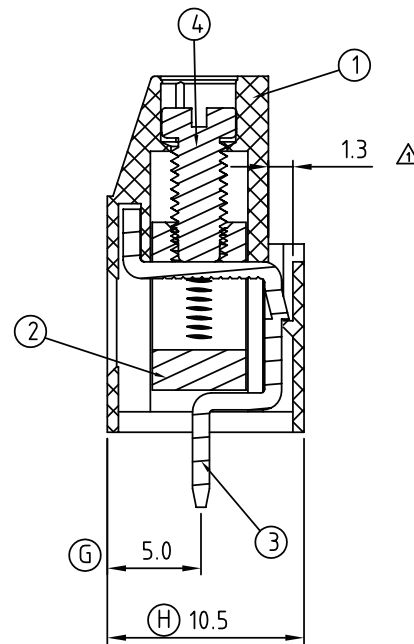
- Item 1 Terminal housing: Thermoplastic (UL 94V-0)
- Item 2 Clamp: Brass Ni plated
- Item 3 Wire guard solder pin: Brass Tin plated
- Item 4 Terminal screw: Steel Zinc plating"- "slot type

Electrical cULus

- Voltage rating: 300VAC
- Current rating: 20A
- Solid wire(AWG): 12-30
- Stranded wire(AWG): 12-30
- Torque(Lb-In): 3.5
- Screw: M3
- Wire strip length: 6-7mm
- Withstanding Voltage: 1.6KV
- △ ● Operating temperature: -40°C to +115°C
- △ ● Soldering temperature: 250°C±10°C/5 Sec
- Safety Approval:  us



N=Number of contacts



P.C.B LAYOUT

RoHS Compliant

TOLERANCES ARE

MORETHANALL
PCB CONNECTORS
Cable ASSEMBLIES

煜倫股份有限公司

www.morethanall.com

DRAWING BY CY

CHECKED BY GENIUS

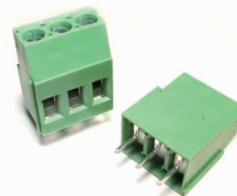
UNIT/ mm SCALE 1:1

DATE

SIZE A4

P PROJECTION 

X, ±
.X ±
.XX ±
.XXX ±
ANG ±



ORDER INFORMATION

TBH050-D19-xx-LF

SERIES

02-24WAY

LEADFREE

HIGH 19.0mm
DIP180°

DESCRIPTION: