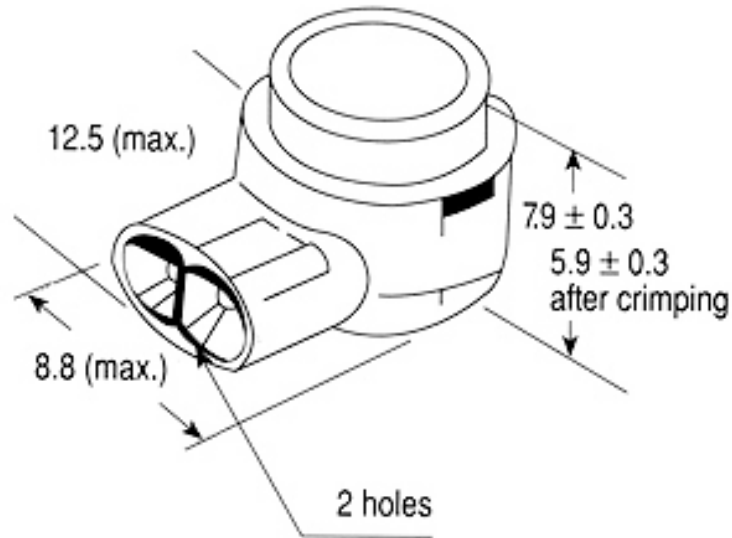


Notice:

Material: Solid Copper

Insulation: PC (inner with weater-resistanced glue )



Item No.	Max. Insulation (Mm)	OD	Application
U-Y-02	1.52		For solid copper 0.65-0.4mm (22-26AWG) cable.

RoHS Compliant

TOLERANCES ARE

**MORETHANALL**  
PCB CONNECTORS  
Cable ASSEMBLIES

煜倫股份有限公司

www.morethanall.com

DRAWING BY CY

CHECKED BY GENIUS

UNIT / mm

SCALE 1 : 1

DATE

SIZE A4

PPOJECTION

X. ±  
.X ±  
.XX ±  
.XXX ±  
ANG ±



ORDER INFORMATION

U-Y-02-LF  
SERIES | LEADFREE  
| 02 WAY  
YELLOW

DESCRIPTION: