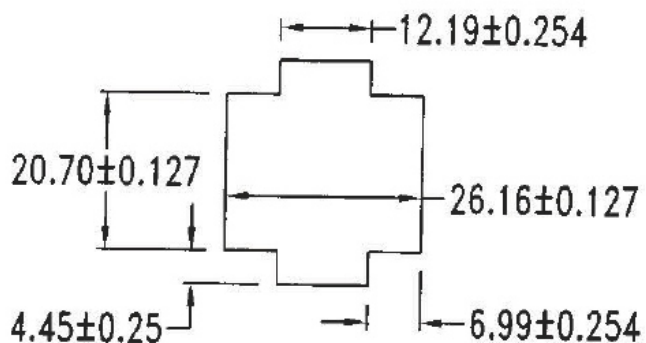


### Features:

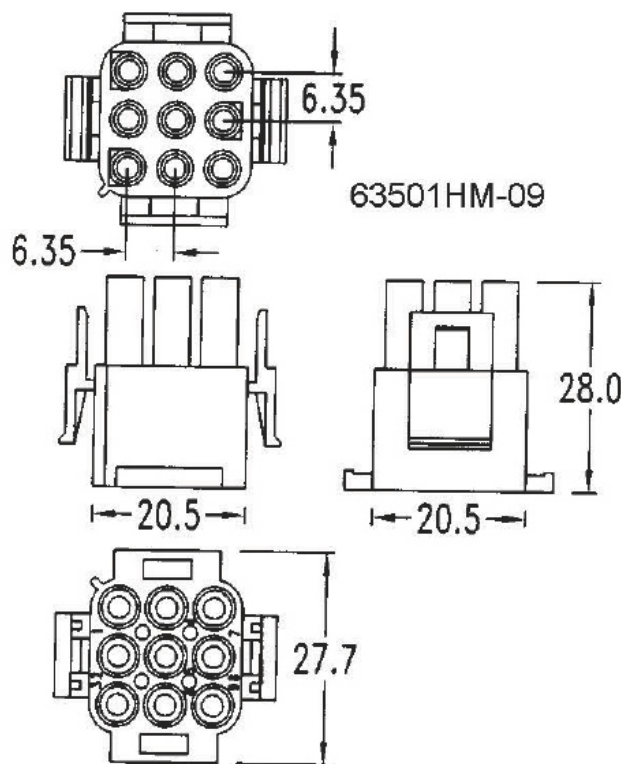
- Integrally molded polarization
- Material: UL 94V-2
- Friction lock
- **Color: Red**
- Recommended panel thickness: .030" ~ .090"(0.762 ~ 2.286mm)

### Specifications:

- Current rating: 11A
- Voltage rating: 600V
- Insulation resistance: 1000MΩ min.
- Dielectric withstanding voltage: 5000V AC/minute
- Ambient temperature range: -55°C ~ 105°C



&& Panel must be punched so that housing enters panel in same direction as the punch.



**RoHS Compliant**

TOLERANCES ARE

**MORETHANALL**  
PCB CONNECTORS  
Cable ASSEMBLIES

DRAWING BY CY

X. ± 0.40

CHECKED BY GENIUS

.X ± 0.25

UNIT / mm

SCALE 1 : 1

.XX ± 0.10

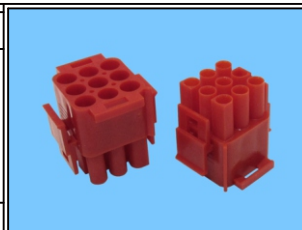
DATE

.XXX ±

ANG ±

SIZE A4

PJECTION



ORDER INFORMATION

UL-SRD-3X03-LF  
SERIES | LEADFREE  
RED | 09 WAY  
FEMALE HOUSING

煜倫股份有限公司

www.morethanall.com

DESCRIPTION: