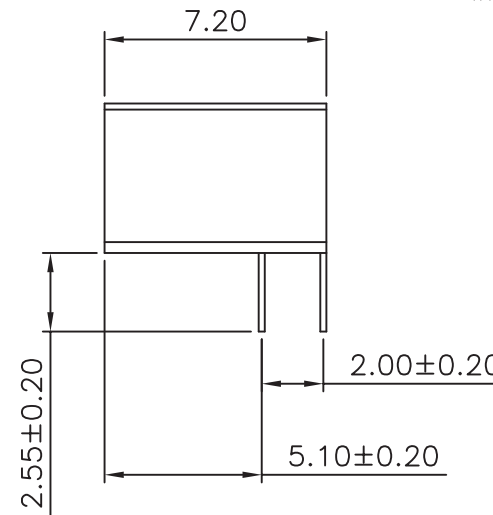
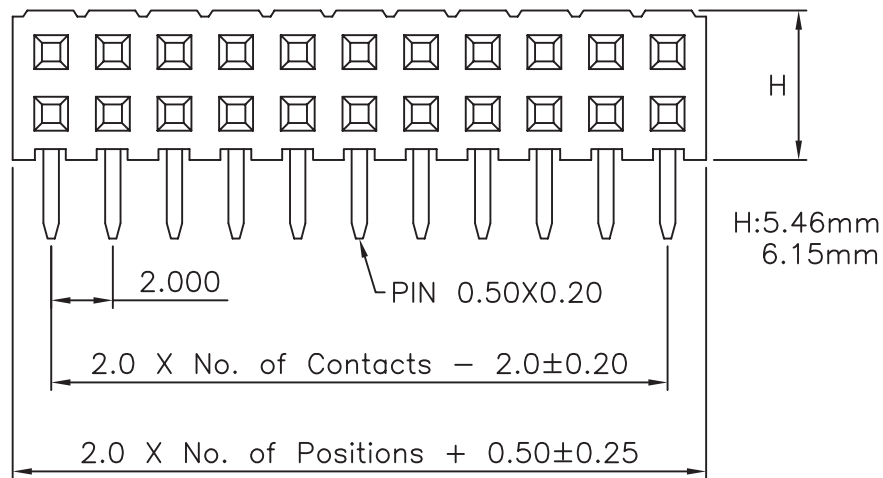
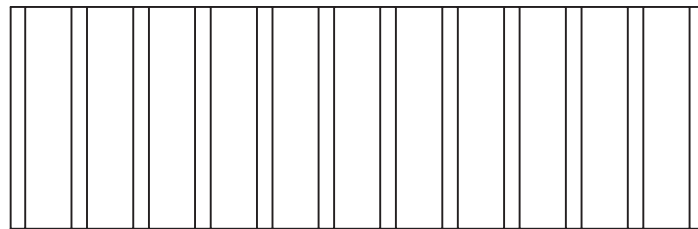


Specifications

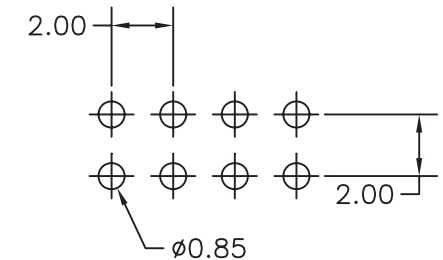
Current Rating: 2Amp
 Insulation Resistance: 1000MΩ Min.
 Dielectric Withstanding: 500V AC/DC
 Contact Resistance: 20mΩ Max.
 Operating Temperature: -40°C to +105°C

Materials

Contact Material: Phosphor Bronze
 Insulation Material: Polyester, UL 94V-0
 Nylon-6T



Recommended P.C.Board Hole Layout



RoHS Compliant

TOLERANCES ARE

MORETHANALL
 PCB CONNECTORS
 Cable ASSEMBLIES

煜倫股份有限公司

www.morethanall.com

DRAWING BY CY

CHECKED BY GENIUS

UNIT/mm

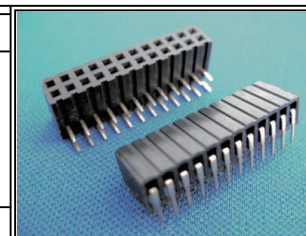
SCALE 1:1

DATE

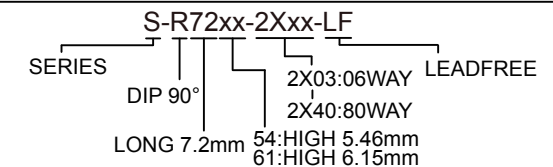
SIZE A4

P PROJECTION

$X \pm$
 $.X \pm 0.38$
 $.XX \pm 0.25$
 $.XXX \pm 0.13$
 ANG \pm



ORDER INFORMATION



DESCRIPTION: 2.0 FEMALE HEADER DUAL ROWS R/A TYPE SIDE ENTRY