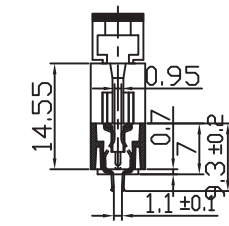
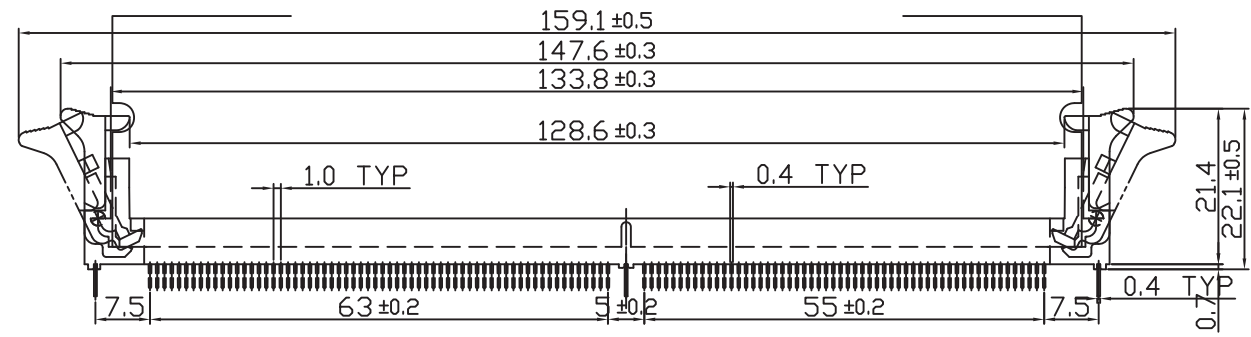
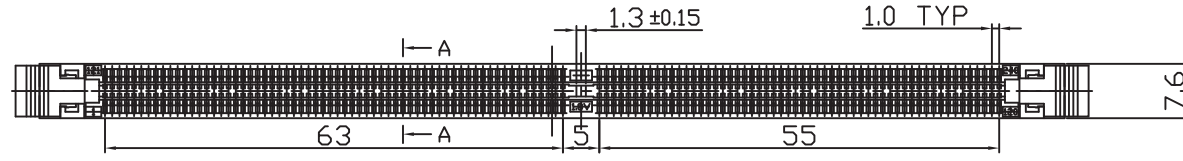


NOTE:
 MATERIAL:
 HOUSING:THERMOPLASTIC;(NY66+30%G/F)
 CONTACT:BRASS
 PLATING:
 CONTACT: GOLD PLATING
 SPECIFICATION:
 VOLTAGE RATING: 30V
 CURRENT RATING: 0.5A
 CONTACT RESISTANCE TERMINAL:40mΩ MAX
 DIELECTRIC WITHSTANDING VOLTAGE:500V AC
 INSULATION RESISTANCE:1000MΩ MIN



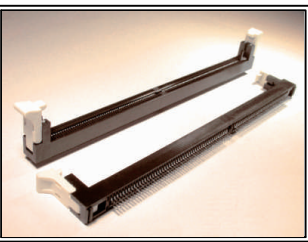
RoHS Compliant

TOLERANCES ARE

MORETHANALL
 PCB CONNECTORS
 Cable ASSEMBLIES

DRAWING BY CY
 CHECKED BY GENIUS
 UNIT / mm SCALE 1 : 1
 DATE

X. ±
 .X ±
 .XX ±
 .XXX ±
 ANG ±



ORDER INFORMATION

DIM1-E-240V18-LF
 SERIES | 1.8V | LEADFREE
 240 WAY
 EDGE CLIP

煜倫股份有限公司

www.morethanall.com

SIZE A4 PPROJECTION

DESCRIPTION: