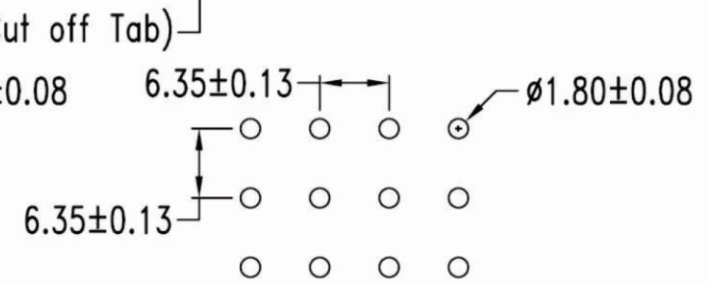
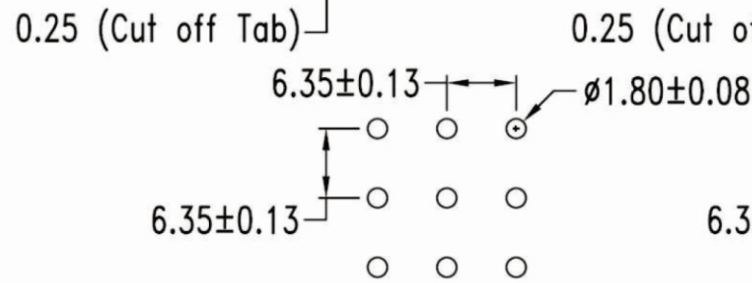
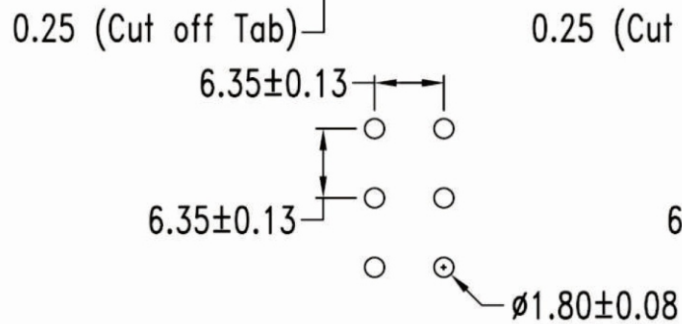
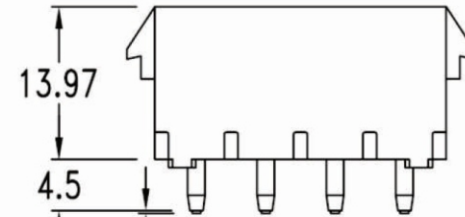
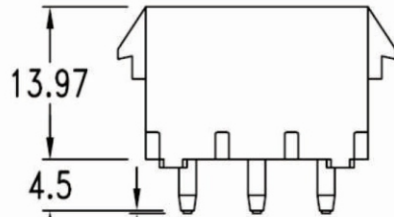
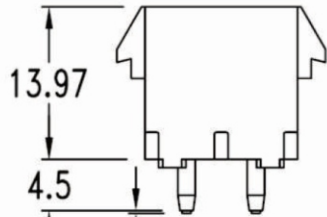
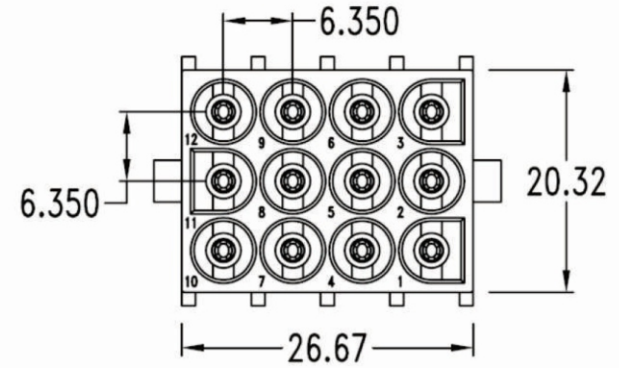
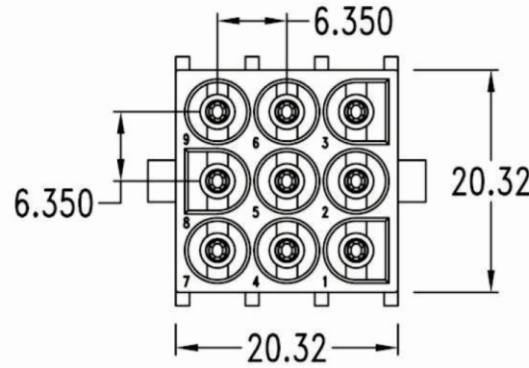
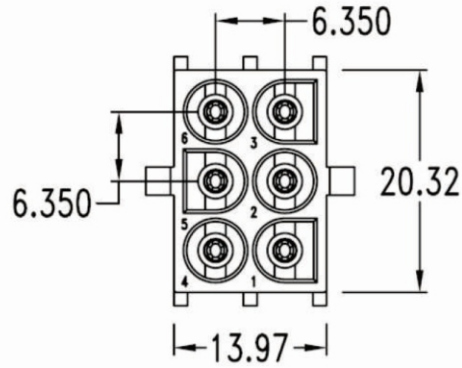


COLOR:RED

UL-PDXRD-3X02

UL-PDXRD-3X03

UL-PDXRD-3X04



P. C. board layout

P. C. board layout

P. C. board layout

RoHS Compliant

TOLERANCES ARE

MORETHANALL
PCB CONNECTORS
Cable ASSEMBLIES

DRAWING BY CY

X, ±

CHECKED BY GENIUS

.X ±

UNIT / mm

SCALE 1 : 1

.XX ±

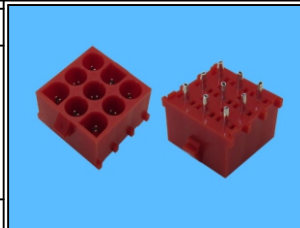
DATE

.XXX ±

ANG ±

SIZE A4

PPOJECTION



ORDER INFORMATION

UL-PDXRD-3Xxx-LF
SERIES | LEADFREE
3X02:06WAY | 3X04:12WAY
RED
MALE HOUSING | NON POST
DIP 180°

煜倫股份有限公司

www.morethanall.com

DESCRIPTION: