

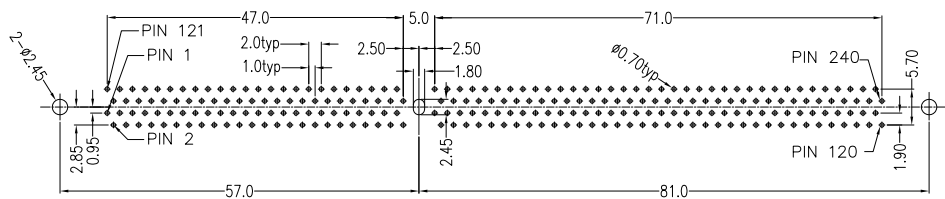
NOTES

- * **MATERIAL:**
 BODY: Nylon66+20%~30%G.F, UL 94V-0 RATED.
 EJECTOR: Nylon66+30%G.F,UL 94V-0 RATED.
 COLOR: Ivory
- CONTACT: Brass
- CONTACT PLATING: Gold Plating Over Nickel On Contact
 Area Tin Plating On Solder Tail

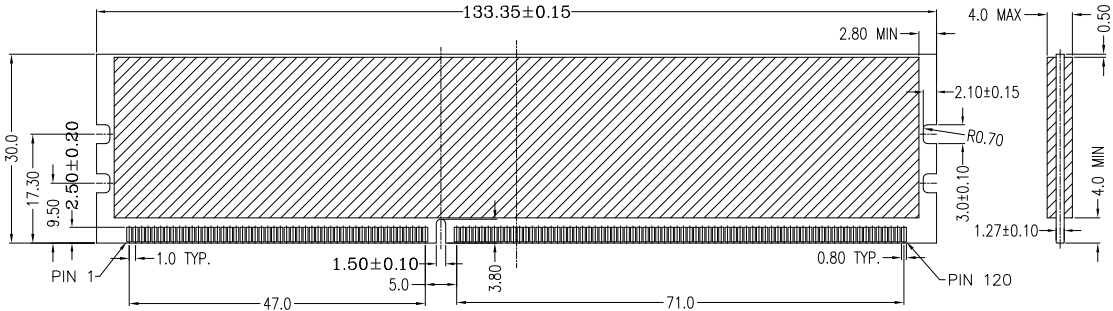
- * **MECHANICAL:**
 RETENTION FORCE-TERMINAL: 300 Grams Min. Per
 INSERTION FORCE: 35 lb. Max.
 UNMATING FORCE: 14 Grams Min. Per Pin Pair

- * **ELECTRICAL SPECIFICATION**
 CONTACT RESISTANCE: 30 Milliohms Max. Initial
 INSULATION RESISTANCE: 1000 Megohms Min.
 AT 500 VDC

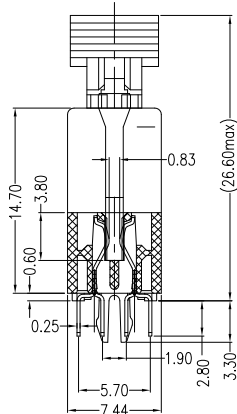
- * **ENVIRONMENTAL:**
 OPERATING TEMPERATURE: -55°C TO +105°C



PCB LAYOUT



RECOMMENDED MODULE LAYOUT



SECT:A-A
SCALE:2:1

RoHS Compliant

TOLERANCES ARE



DRAWING BY CY

CHECKED BY GENIUS

UNIT / mm

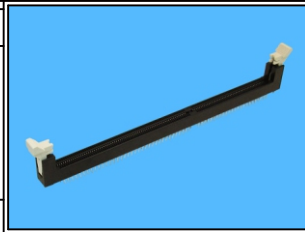
SCALE 1 : 1

DATE

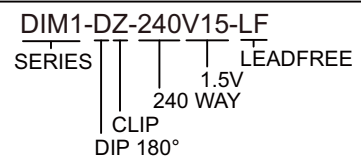
SIZE A4

PPOJECTION

- X. ±
- .X ±
- .XX ±
- .XXX ±
- ANG ±



ORDER INFORMATION



DESCRIPTION: DDR3-240P Shield Metal Posts CRT

煜倫股份有限公司

www.morethanall.com