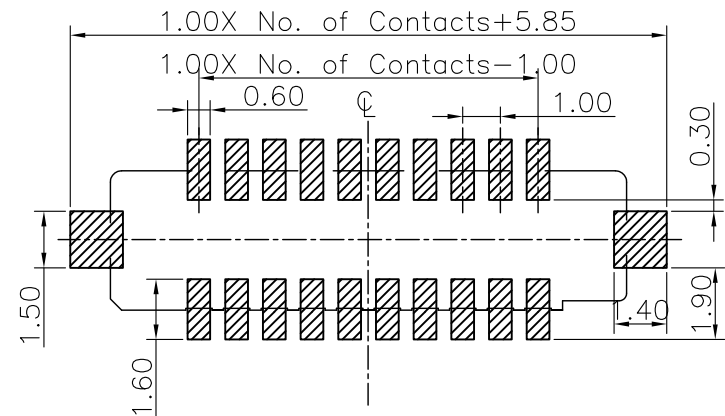


Specifications
 Current Rating: 1.0Amp
 Insulation Resistance: 1000MΩMin.
 Dielectric Withstanding Voltage: 300VAC
 Contact Resistance: 20mΩMax.
 Operating Temperature: -40°C to +105°C
 Materials
 Contact Material: Phosphor Bronze
 Insulator Material: High Temperature Thermoplastic, UL 94V-0 Nylon 6T (Halogen Free) or the equivalent material

Recommended P.C.Board Layout
 (Tolerance: ± 0.05)



RoHS Compliant

TOLERANCES ARE

MORETHANALL
 PCB CONNECTORS
 Cable ASSEMBLIES

煜倫股份有限公司

www.morethanall.com

DRAWING BY CY

CHECKED BY GENIUS

UNIT/mm

SCALE 1:1

DATE

SIZE A4

P PROJECTION

X. ± 0.30
 .X ± 0.25
 .XX ± 0.15
 .XXX ± 0.10
 ANG \pm



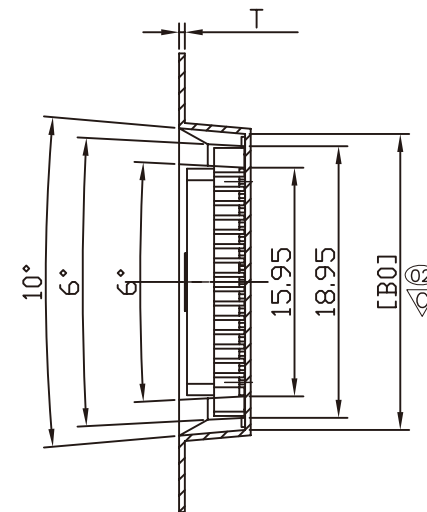
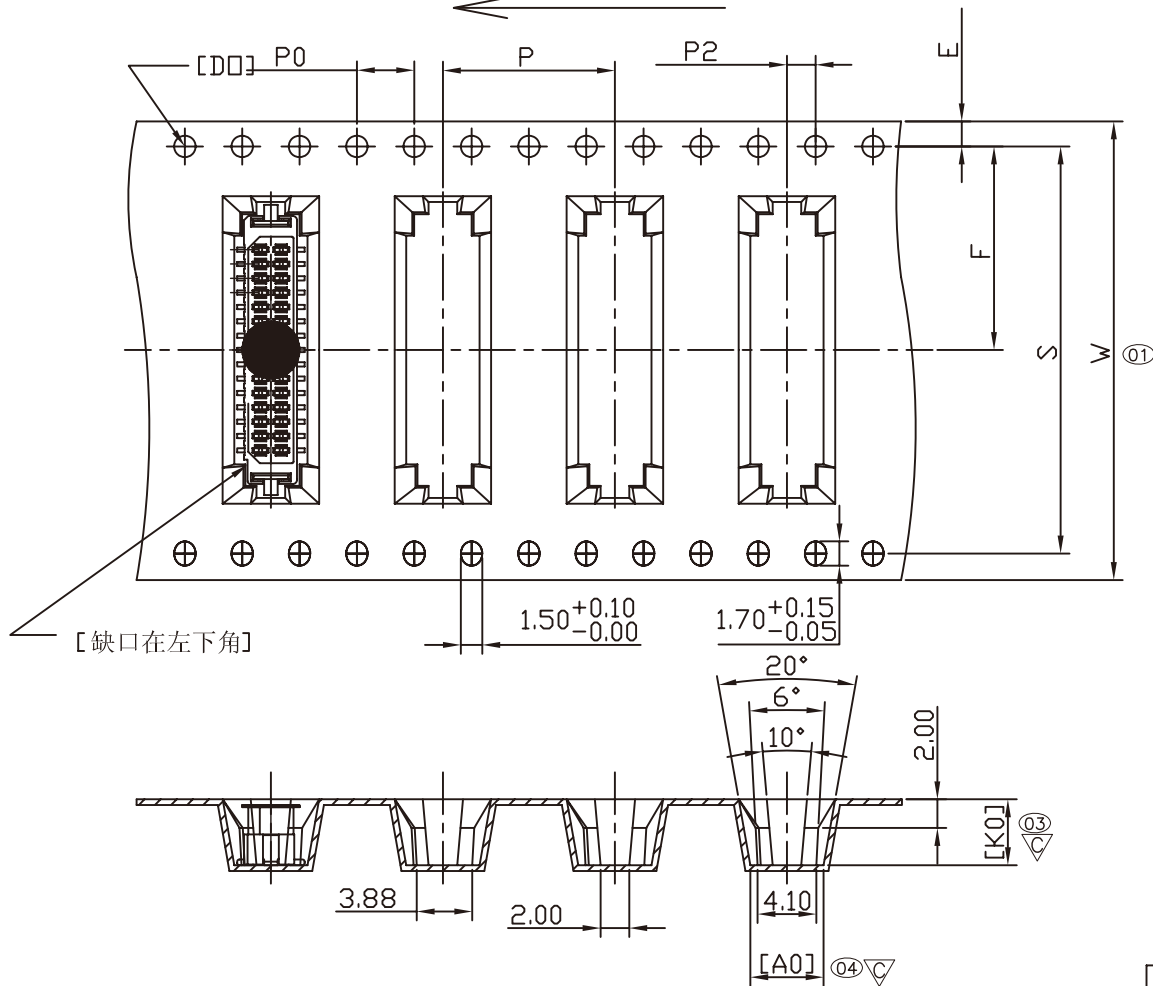
ORDER INFORMATION

NP1014-SVTCR-xx-LF

SERIES | | | | | LEADFREE
 | | | | | 06-30WAY
 | | | | | REEL
 | | | | | CAP (MYIAR)
 FEMALE | | | | | TIN
 | | | | | 180°SMT

DESCRIPTION: 1.00 PITCH FEMALE BOARD TO BOARD TYPE

封裝時收料方向



Notes:

1. Packing Conforms EIA-481-B Standards.
2. 10 sprocket hole pitch cumulative
3. Carrier camber is within 1mm in 250mm.
4. Material: BLACK Polystyrene.
5. Packing length per 13" Reel: 13 Meters.
6. Component load per 13" Reel: 1000 PCS.
7. "XX" SHOULD BE MEASURED BY FAI.
8. "▽" MUST BE CONTROLLED BY QC.

W	32.00 ^{+0.30} / _{-0.30}	T	0.40±0.05	P0	4.00±0.10	A0	5.11±0.10
S	28.40±0.10	F	14.20±0.10	P2	2.00±0.10	B0	20.65±0.10
E	1.75±0.10	P	12.00±0.10	D0	∅1.50 ± ^{0.10} / ₀	K0	4.60±0.10

RoHS Compliant

MORETHANALL
PCB CONNECTORS
Cable ASSEMBLIES

煜倫股份有限公司

www.morethanall.com

DRAWING BY CY

CHECKED BY GENIUS

UNIT/mm SCALE 1:1

DATE

SIZE A4

TOLERANCES ARE

X. ±
.X ± 0.25
.XX ± 0.15
.XXX ± 0.10
ANG ±

PJECTION



ORDER INFORMATION

NP1014-SVTCR-xx-LF

SERIES | | | | | T LEADFREE
06-30WAY
REEL
CAP (MYIAR)
FEMALE | | | | | TIN
180°SMT

DESCRIPTION: