

Specifications

Current Rating: 1Amp

Insulation Resistance: 1000MΩMin.

Dielectric Withstanding: 300VAC

Contact Resistance: 20mΩMax.

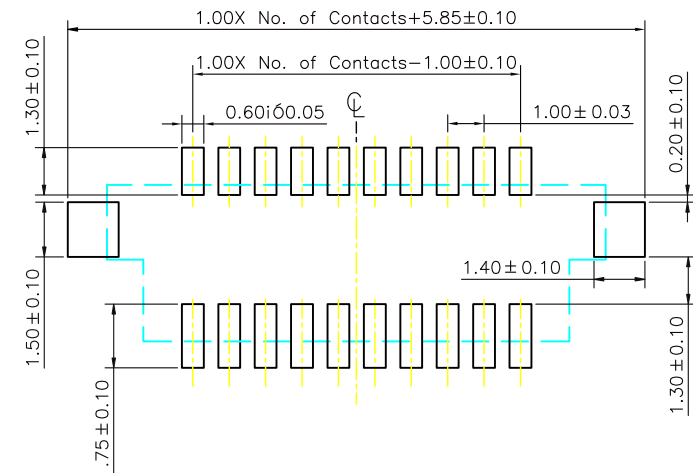
Operating Temperature: -40°C to +105°C

Materials

Contact Material: Phosphor Bronze

Insulator Material: High Temperature Thermoplastic,
UL 94V-0 Nylon or the equivalent material.

Recommended P.C.Board Layout



RoHS Compliant

MORETHANALL
PCB CONNECTORS
Cable ASSEMBLIES

煜倫股份有限公司

www.morethanall.com

DRAWING BY CY

CHECKED BY GENIUS

UNIT/mm

SCALE 1:1

DATE

SIZE A4

TOLERANCES ARE

X. ±
.X ± 0.25
.XX ± 0.15
.XXX ±
ANG ±

PJECTION



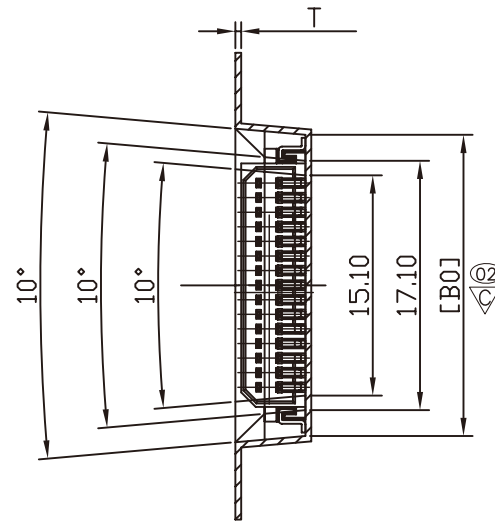
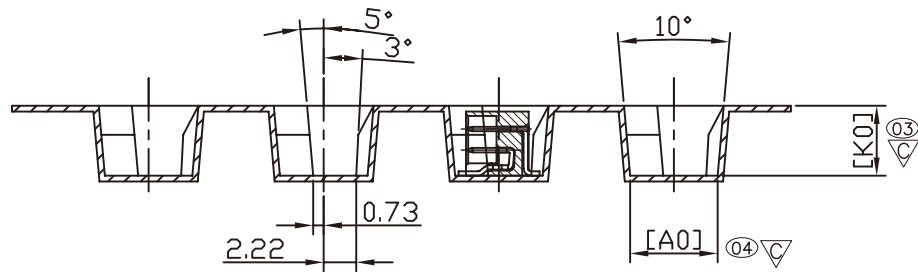
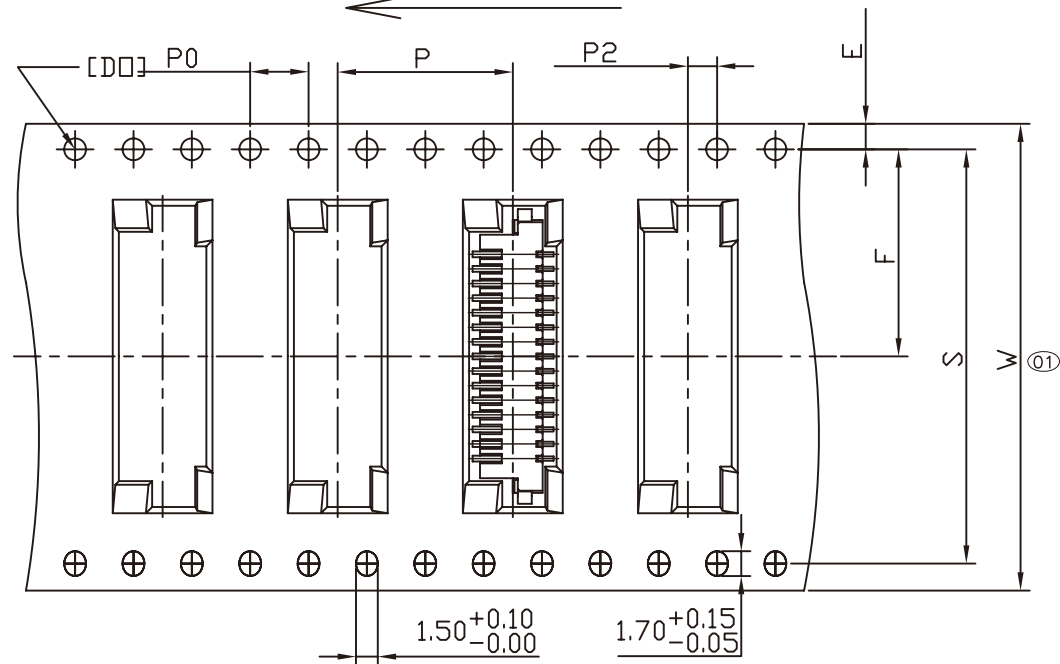
ORDER INFORMATION

NP1014-PWTR-xx-LF

SERIES | | | | LEADFREE
| | | | 10-30WAY
| | | | REEL
| | | | TIN
| | | | 90°SMT
| | | | MALE

DESCRIPTION: 1.00Pitch ROWS BASE Board to Board MALE

封裝時收料方向



Notes:

- 1.Packing Conforms EIA-481-B Standards.
- 2.10 sprocket hole pitch cumulative
- 3.Carrier camber is within 1mm in250mm.
- 4.Marterial:BLACK Polystyrene.
- 5.Packing length per 13"Reel:13Meters.
- 6.Component load per 13"Reel:1000PCS.
7. "XX" SHOULD BE MEASURED BY FAI.
8. "▽" MUST BE CONTROLLED BY QC.

W	32.00 ^{+0.30} _{-0.30}	T	0.40±0.05	Po	4.00±0.10	Ao	6.00±0.10
S	28.40±0.10	F	14.20±0.10	P2	2.00±0.10	Bo	20.65±0.10
E	1.75±0.10	P	12.00±0.10	Do	ø1.50 ± ₀ ^{0.10}	Ko	5.00±0.10

RoHS Compliant

TOLERANCES ARE



煜倫股份有限公司

www.morethanall.com

DRAWING BY CY

CHECKED BY GENIUS

UNIT/mm

SCALE 1:1

DATE

SIZE A4

X. ±
 .X ± 0.25
 .XX ± 0.15
 .XXX ± 0.10
 ANG ±

PJECTION



ORDER INFORMATION

NP1014-PWTR-xx-LF

SERIES
 LEADFREE
 10-30WAY
 REEL
 TIN
 90°SMT
 MALE

DESCRIPTION: