

Notes:

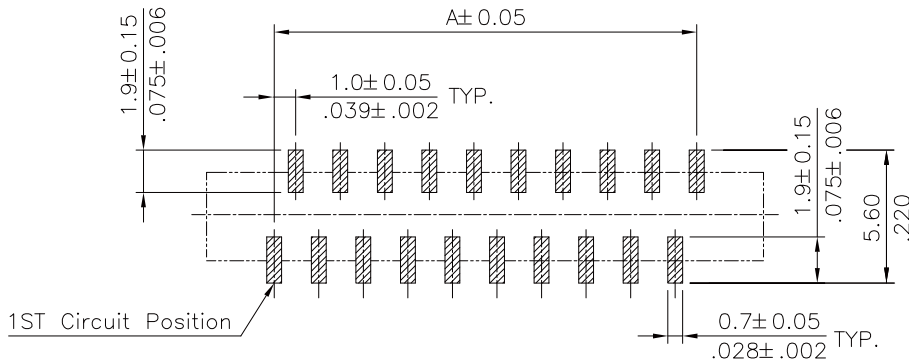
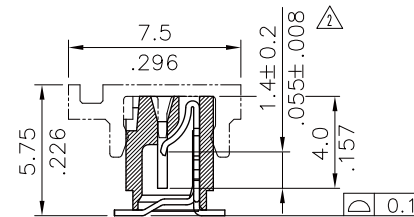
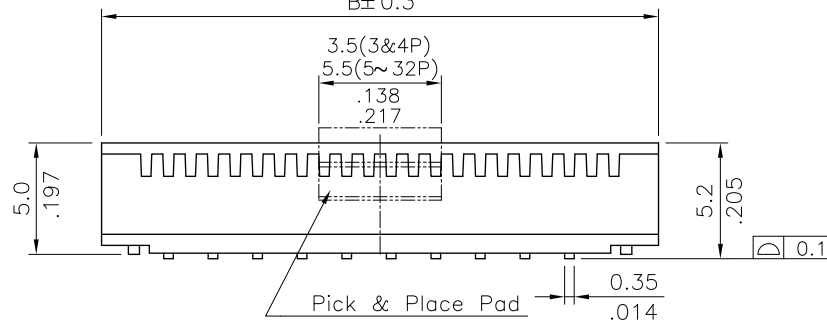
- \* Insulation: Nylon 6T UL 94V-0 (Halogen-Free)
- \* Contact: Phosphor Bronze
- \* PAD: Nylon 6T UL 94V-0, Color Black(Halogen-Free)
- \* For Lead-Free IR Reflow process

$A = 1.00 \times \text{No. of Spaces}$

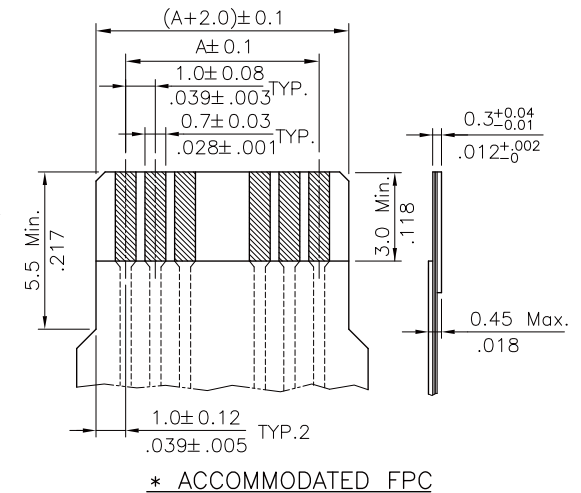
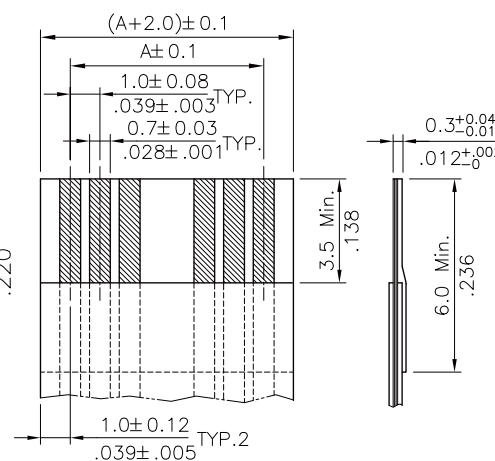
$B = A + 6.0$

$C = A + 2.1$

- \* Available in 3 through 32 circuits



Sold Pad Pattern



RoHS Compliant

TOLERANCES ARE



煜倫股份有限公司

www.morethanall.com

DRAWING BY CY

CHECKED BY GENIUS

UNIT/mm

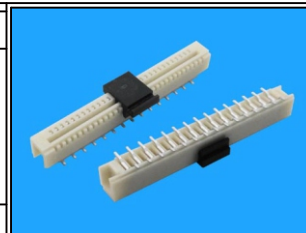
SCALE 1:1

DATE

SIZE A4

PJECTION

X, ±  
.X ± 0.15  
.XX ± 0.10  
.XXX ± 0.05  
ANG ±



ORDER INFORMATION

FPA-VLAL52C-xx-LF

SERIES | | | | | LEAD FREE  
180°SMT | | | | | 03-32WAY  
NON ZIF | | | | | CAP  
| | | | | HIGH 5.2mm  
| | | | | L TYPE  
| | | | | SINGLE CONTACT

DESCRIPTION: