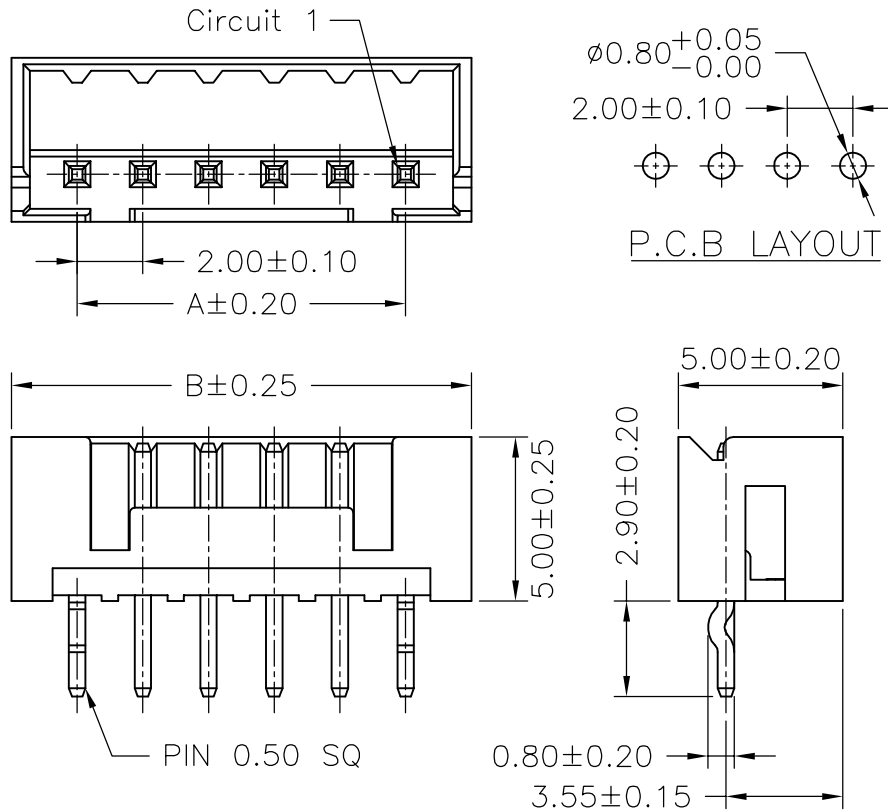


SPECIFICATIONS

Current Rating: 3A AC,DC
 Voltage Rating: 250V AC,DC
 Temperature Range: -25°C ~ +85°C
 Contact Resistance: 30mΩ Max.
 Insulation Resistance: 1000MΩ Min.
 Withstanding Voltage: 650V AC/minute
 Pin Material: Brass/Gold-flash
 Material: Nylon 6T,UL94V-0
 Color: Natural(Black)



Ordering Information & Dimensions

PART NO.	Dimensions	
	A	B
DF3-D-02	2.00	6.00
DF3-D-03	4.00	8.00
DF3-D-04	6.00	10.00
DF3-D-05	8.00	12.00
DF3-D-06	10.00	14.00
DF3-D-07	12.00	16.00
DF3-D-08	14.00	18.00
DF3-D-09	16.00	20.00
DF3-D-10	18.00	22.00
DF3-D-11	20.00	24.00
DF3-D-12	22.00	26.00
DF3-D-13	24.00	28.00
DF3-D-14	26.00	30.00
DF3-D-15	28.00	32.00

RoHS Compliant

TOLERANCES ARE

MORETHANALL
 PCB CONNECTORS
 Cable ASSEMBLIES

煜倫股份有限公司

www.morethanall.com

DRAWING BY CY

CHECKED BY GENIUS

UNIT/mm

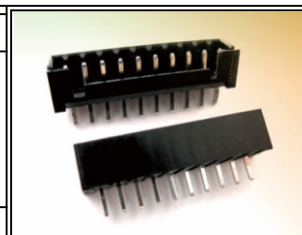
SCALE 1:1

DATE

SIZE A4

PJECTION

X.±
 .X±
 .XX±
 .XXX±
 ANG±



ORDER INFORMATION

DF3-D-xx-LF
 SERIES | LEADFREE
 02~15WAY
 DIP 180°

DESCRIPTION: