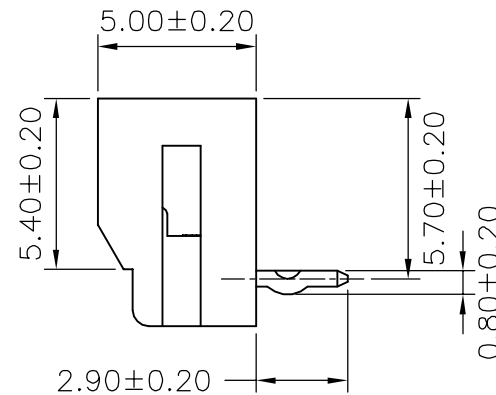
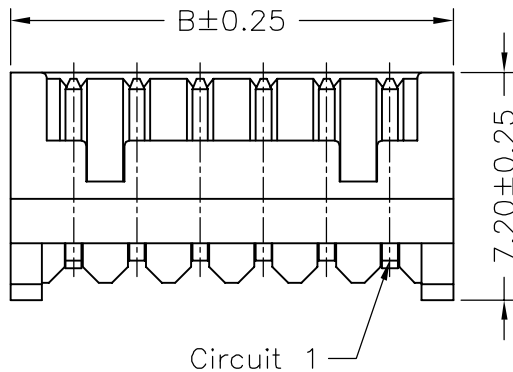
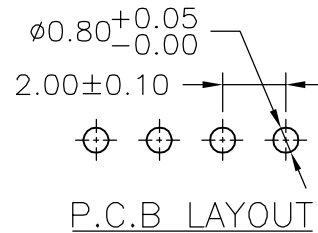
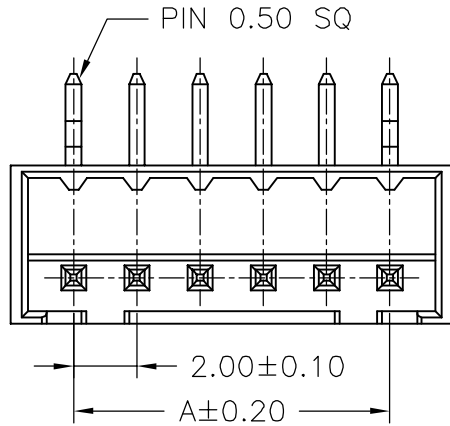


SPECIFICATIONS

Current Rating: 3A AC,DC
 Voltage Rating: 250V AC,DC
 Temperature Range: -25°C ~ +85°C
 Contact Resistance: 30mΩ Max.
 Insulation Resistance: 1000MΩ Min.
 Withstanding Voltage: 650V AC/minute
 Pin Material: Brass/Gold-flash
 Material: Nylon 6T,UL94V-0
 Color: Natural(Black)

Ordering Information & Dimensions

| PART NO. | Dimensions | |
|----------|------------|-------|
| | A | B |
| DF3-R-02 | 2.00 | 6.00 |
| DF3-R-03 | 4.00 | 8.00 |
| DF3-R-04 | 6.00 | 10.00 |
| DF3-R-05 | 8.00 | 12.00 |
| DF3-R-06 | 10.00 | 14.00 |
| DF3-R-07 | 12.00 | 16.00 |
| DF3-R-08 | 14.00 | 18.00 |
| DF3-R-09 | 16.00 | 20.00 |
| DF3-R-10 | 18.00 | 22.00 |
| DF3-R-11 | 20.00 | 24.00 |
| DF3-R-12 | 22.00 | 26.00 |
| DF3-R-13 | 24.00 | 28.00 |
| DF3-R-14 | 26.00 | 30.00 |
| DF3-R-15 | 28.00 | 32.00 |



MORETHANALL
 PCB CONNECTORS
 Cable ASSEMBLIES

煜倫股份有限公司

www.morethanall.com

RoHS Compliant

DRAWING BY CY

CHECKED BY GENIUS

UNIT/mm SCALE 1:1

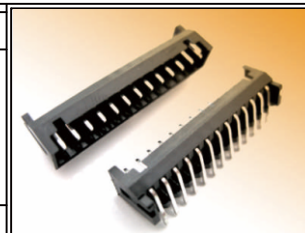
DATE

SIZE A4

TOLERANCES ARE

X.±
 .X±
 .XX±
 .XXX±
 ANG±

P PROJECTION



ORDER INFORMATION

DF3-R-xx-LF
 SERIES | LEADFREE
 02~15WAY
 DIP 90°

DESCRIPTION: