

Pin Number	Signal Name
S1	GND
S2	A+
S3	A-
S4	GND
S5	B-
S6	B+
S7	GND

**NOTES:**

**\*Material**

Housing: Nylon46,UL 94V-0 Rated; Color: Red .  
 Shell: Brass  
 Plating: Ni(50u" Min.) Plating .  
 Contact: Brass  
 Plating: Au plating on contact area;  
 Sn(100u" Min.) plating on solder tail;  
 Ni(50u" Min.) underplating overall.

**\*Mechanical**

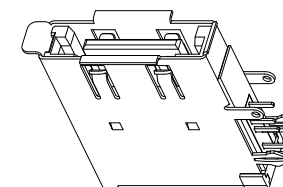
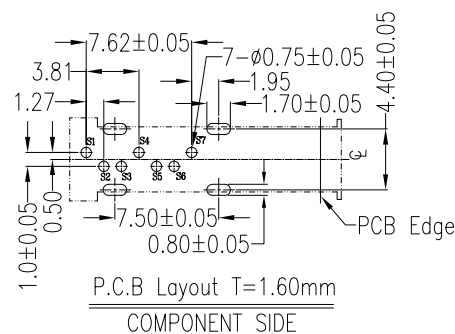
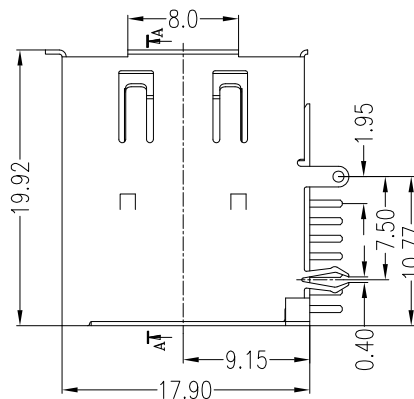
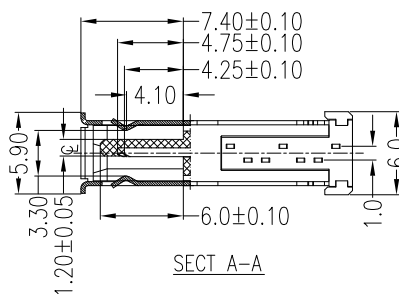
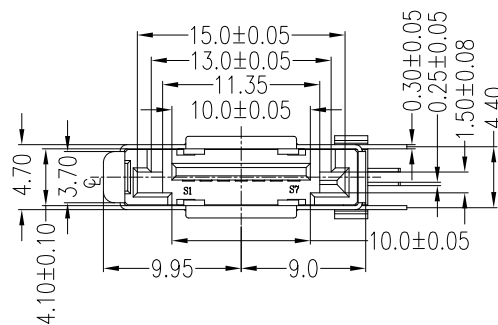
Insertion Force: 4.08Kg Max.  
 Withdrawal Force: 1.02Kg Min.  
 Durability: 2500 Cycles

**\*Electrical Specification**

Current Rating: 1.5 Ampere Per Contact  
 Contact Resistance: 30 mΩ Max.  
 Insulation Resistance: 1000 MΩ Min.  
 Dielectric Withstanding Voltage: 500V AC.

**\*Environmental**

Operating Temperature : -55°C To +85°C.



**RoHS Compliant**

TOLERANCES ARE

**MORETHANALL**  
 PCB CONNECTORS  
 Cable ASSEMBLIES  
 煜倫股份有限公司

DRAWING BY CY

CHECKED BY GENIUS

UNIT / mm

SCALE 1 : 1

DATE

SIZE A4

PPOJECTION

X, ±  
 X ± 0.35  
 .XX ± 0.25  
 .XXX ± 0.15  
 ANG ± 3°



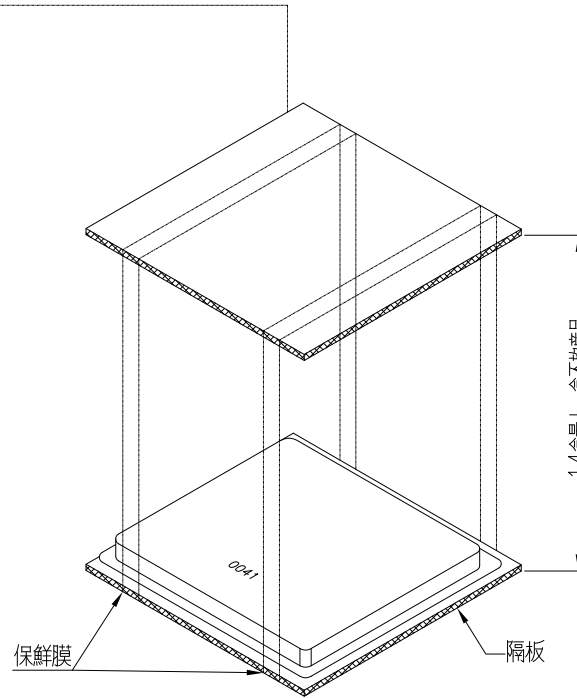
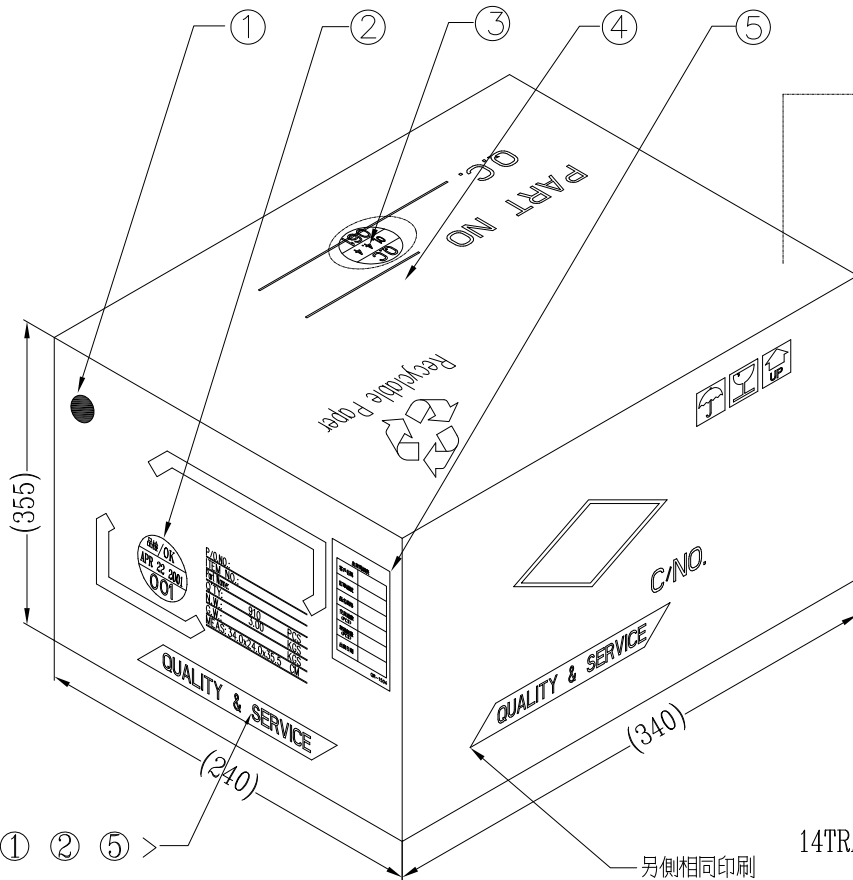
**ORDER INFORMATION**

**ESATA-PU-07-LF**

SERIES | LEADFREE  
 | 07 WAY  
 | UPRIGHT  
 | MALE

DESCRIPTION: eSATA Upright DIP Type Male

www.morethanall.com



出貨明細表

客戶名稱	
訂單編號	
品名規格	
交貨總數 (PCS)	
單箱數量 (PCS)	
出貨日期	

⑤ QR-1504

另側相同印刷 < 無 ① ② ⑤ >

14TRAYS/910PCS/CARTON

PACKING: 70 PCS/TRAY  
910 PCS/CARTON  
PACKING DETAILS  
P/O.NO.:  
ITEM NO.:  
PART NAME:  
Q'TY: 910 PCS  
N.W.: 3.00 KGS  
G.W.: KGS  
MEAS: 34.0x24.0x35.5 CM

加蓋印記位置

- (1) 月份標記.
- (2) 品管注介章 (檢驗合格章).
- (3) 生產製造日期, 檢驗員代號.
- (4) 該產品的料號.
- (5) 出貨明細表.

注:

1. 圖示尺寸為內空間尺寸
2. 外箱材質:A=A 隔板材質:A | A  
隔板: 333x233x3mm(2PCS/箱)  
蠟光紙, PE膜: 330x215x0.02mm(各13PCS/箱)  
PE袋: 700x650(開口)x0.05mm(1PCS/箱)
3. 包裝時, 真空盒交錯放置, 每盒裝70pcs產品, 兩盒間先墊一張蠟光紙, 再墊一張PE膜, 14盒產品捆成一匣(最上層單獨1個真空盒不裝成品);
4. 在每匣真空盒上下各放一個平卡A, 用保鮮膜綁住並套上PE袋, 同時在底層各放1包干燥劑後封口, 每箱裝1匣(14pcs真空盒);

RoHS Compliant

TOLERANCES ARE

**MORETHANALL**  
PCB CONNECTORS  
Cable ASSEMBLIES  
**煜倫股份有限公司**

DRAWING BY CY

CHECKED BY GENIUS

UNIT / mm

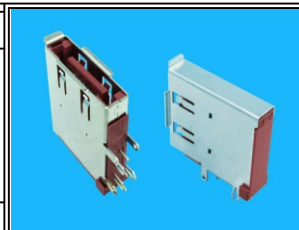
SCALE 1 : 1

DATE

SIZE A4

PPOJECTION

X, ±  
.X ± 0.35  
.XX ± 0.25  
.XXX ± 0.15  
ANG ± 3°



ORDER INFORMATION

ESATA-PU-07-LF

SERIES | | LEADFREE  
| | 07 WAY  
| | UPRIGHT  
| | MALE

DESCRIPTION: 側立式eSATA鐵殼DIP型 公座 包裝範圍

www.morethanall.com