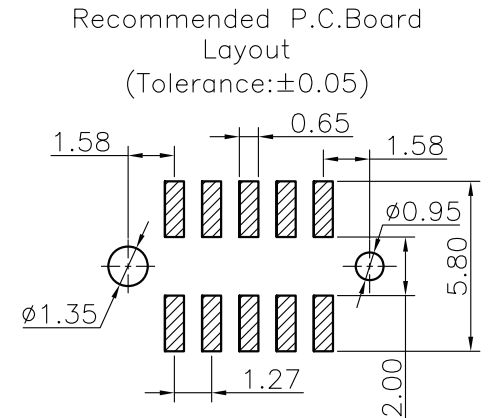
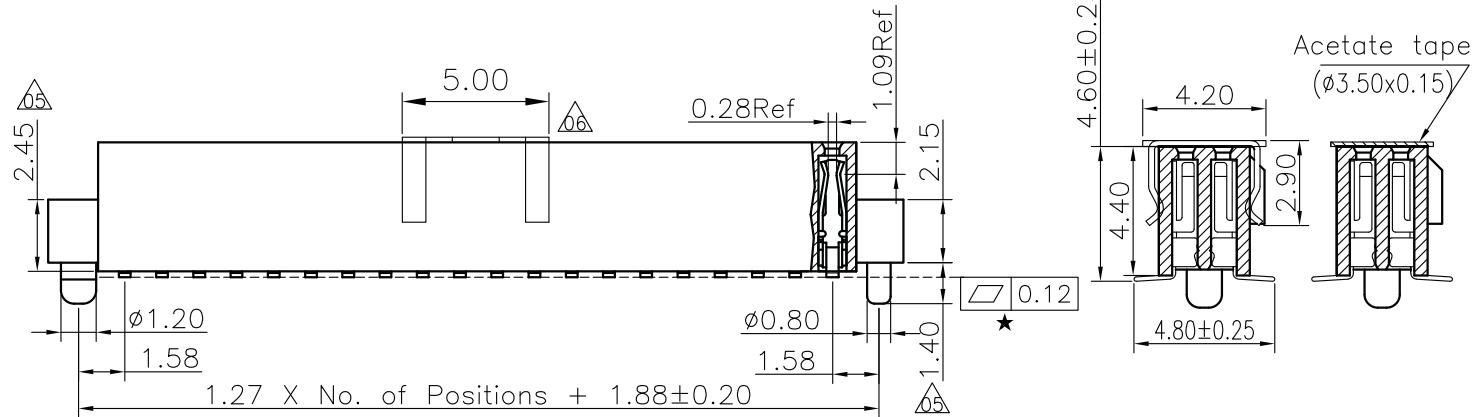


Specifications  
 Current Rating:1Amp  
 Insulation Resistance:1000MΩMin.  
 Dielectric Withstanding Voltage:300VAC  
 Contact Resistance:20mΩMax.  
 Operating Temperature:-40°C to +125°C  
 Materials  
 Contact Material:Phosphor Bronze  
 Insulator Material:High Temperature Thermoplastic, UL 94V-0 LCP or the equivalent material



RoHS Compliant

TOLERANCES ARE

**MORETHANALL**  
 PCB CONNECTORS  
 Cable ASSEMBLIES

煜倫股份有限公司

www.morethanall.com

DRAWING BY CY

CHECKED BY GENIUS

UNIT / mm

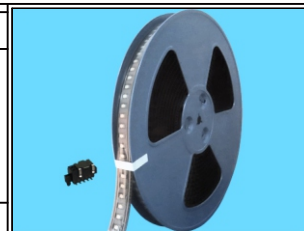
SCALE 1:1

DATE

SIZE A4

P PROJECTION

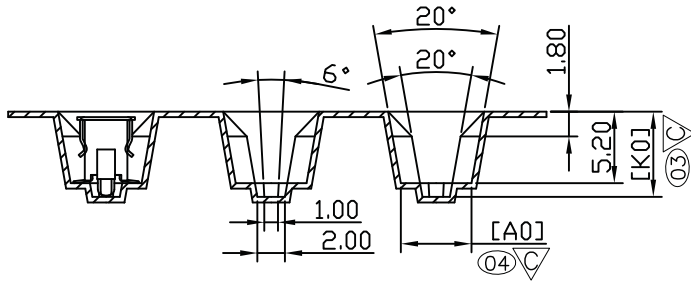
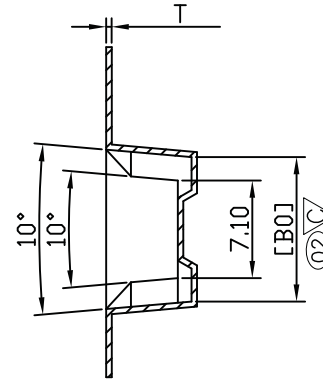
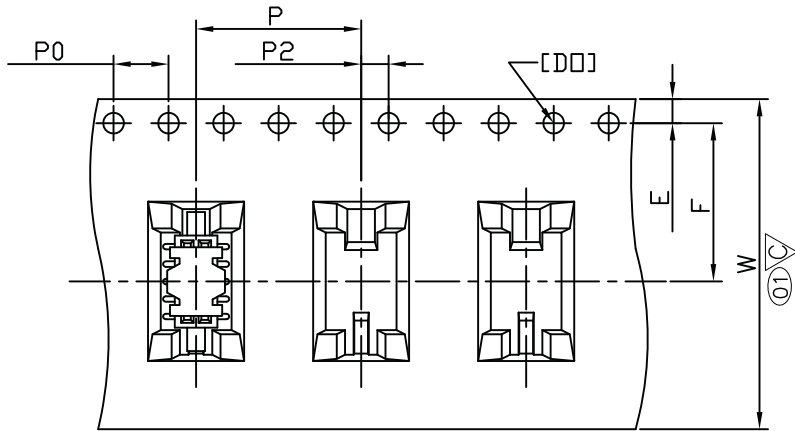
X ± 0.30  
 X ± 0.25  
 .XX ± 0.15  
 .XXX ± 0.10  
 ANG ±



ORDER INFORMATION

YAB-V46PCR-2Xxx-LF  
 SERIES REEL CAP POST HIGH 4.6mm  
 LEADFREE  
 2X03:06WAY

DESCRIPTION:1.27 FEMALE HEADER DUAL ROWS SMT TYPE W/POST



註：

1. 本产品符合EIA-481-B规范.
2. 每10个链孔间距的累计公差为±0.20MM.
3. 载带弧度每250MM不超过1MM.
4. 材质:白色 PS.
5. 13英寸盘子每盘长度:11.8M.
6. 13英寸盘子每盘包装数量:900PCS.
7. 標示"ⓧ"為全尺寸測量部位.
8. 標示" C "為QC重點管制部位.

W	24.00 <sup>+0.30</sup> / <sub>-0.30</sub>	T	0.40±0.05	P <sub>0</sub>	4.00±0.10	A <sub>0</sub>	5.15±0.15	A1	
		F	11.50±0.10	P <sub>2</sub>	2.00±0.10	B <sub>0</sub>	10.50±0.15	B1	
E	1.75±0.10	P	12.00±0.10	D <sub>0</sub>	∅1.50 ± <sup>0.10</sup> / <sub>0</sub>	K <sub>0</sub>	6.20±0.10	K1	

RoHS Compliant

TOLERANCES ARE

**MORETHANALL**  
PCB CONNECTORS  
Cable ASSEMBLIES

DRAWING BY CY

X. ± 0.30

CHECKED BY GENIUS

.X ± 0.25

UNIT / mm

SCALE 1 : 1

.XX ± 0.15

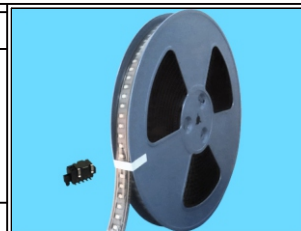
.XXX ± 0.10

ANG ±

DATE

SIZE A4

P PROJECTION



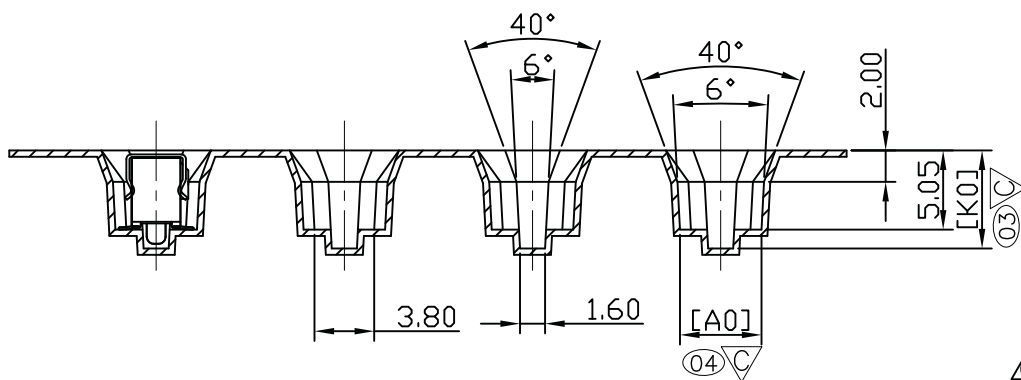
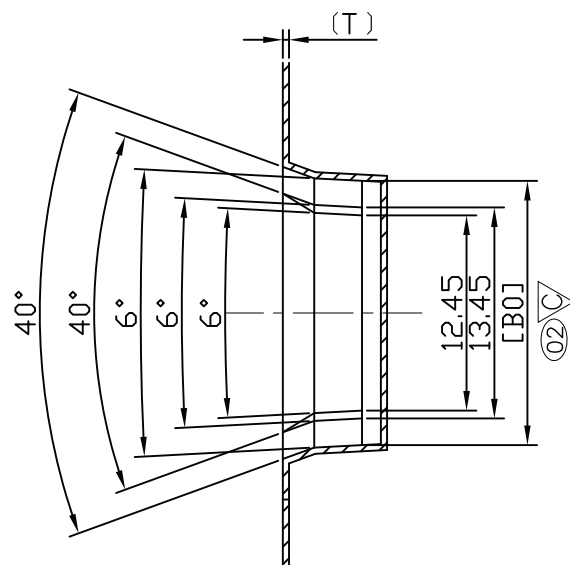
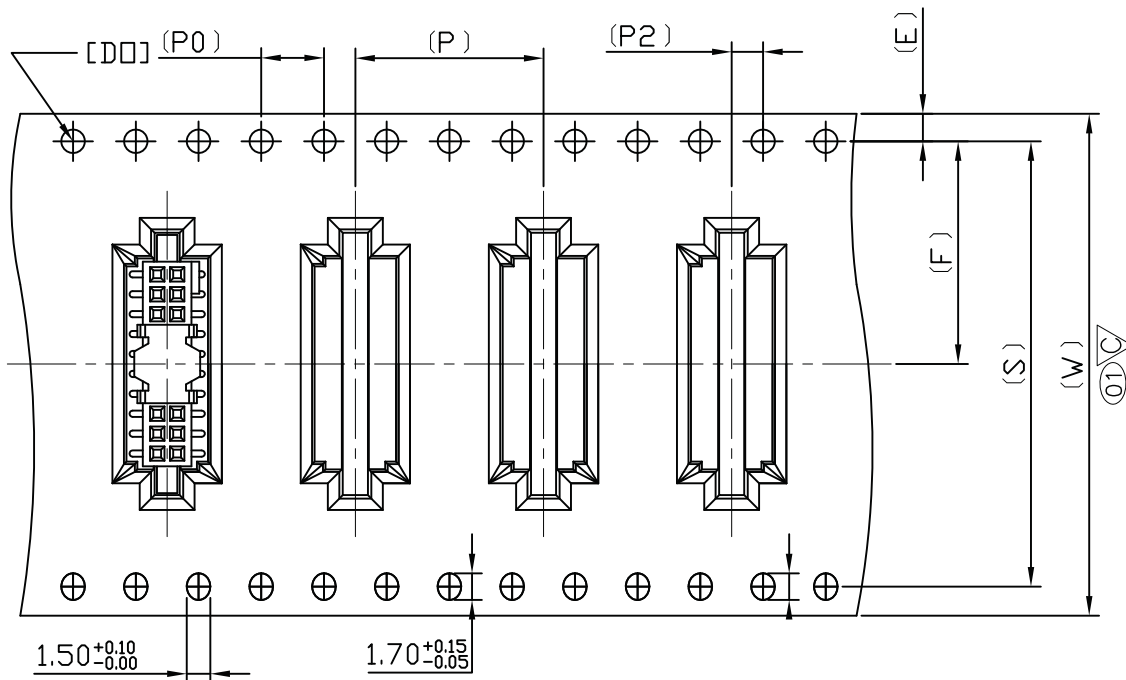
ORDER INFORMATION

YAB-V46PCR-2Xxx-LF  
SERIES | | | | LEADFREE  
| | | | 2X03:06WAY  
| | | | REEL  
| | | | CAP  
180°SMT | | | | POST  
| | | | HIGH 4.6mm

煜倫股份有限公司

www.morethanall.com

DESCRIPTION: 1.27 FEMALE HEADER DUAL ROWS SMT TYPE W/POST



註：

1. 本产品符合EIA-481-B规范.
2. 每10个链孔间距的累计公差为±0.20mm.
3. 载带弧度每250mm不超过1mm.
4. 材质:黑色 PS.
5. 13英寸盘子每盘长度:11.8M.
6. 13英寸盘子每盘包装数量:900PCS.
7. 標示"⊗"為全尺寸測量部位.
8. 標示"C"為QC重點管制部位.



W	32.00 <sup>+0.30</sup> / <sub>-0.30</sub>	T	0.40±0.05	P <sub>0</sub>	4.00±0.10	A <sub>0</sub>	5.20±0.15	A1
S	28.40±0.10	F	14.20±0.10	P <sub>2</sub>	2.00±0.10	B <sub>0</sub>	16.85±0.15	B1
E	1.75±0.10	P	12.00±0.10	D <sub>0</sub>	∅1.50 ± <sub>0</sub> <sup>0.10</sup>	K <sub>0</sub>	6.25±0.10	K1

RoHS Compliant

TOLERANCES ARE

**MORETHANALL**  
PCB CONNECTORS  
Cable ASSEMBLIES

DRAWING BY CY

X. ± 0.30

CHECKED BY GENIUS

.X ± 0.25

UNIT / mm

SCALE 1:1

.XX ± 0.15

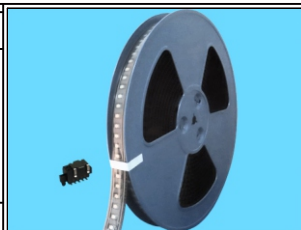
.XXX ± 0.10

ANG ±

DATE

SIZE A4

PJECTION



ORDER INFORMATION

YAB-V46PCR-2Xxx-LF  
SERIES  
LEADFREE  
2X03:06WAY  
REEL  
CAP  
POST  
HIGH 4.6mm  
180°SMT

DESCRIPTION: 1.27 FEMALE HEADER DUAL ROWS SMT TYPE W/POST

煜倫股份有限公司

www.morethanall.com