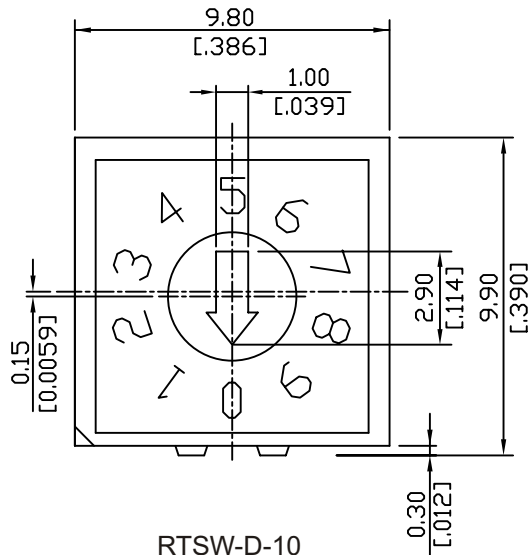
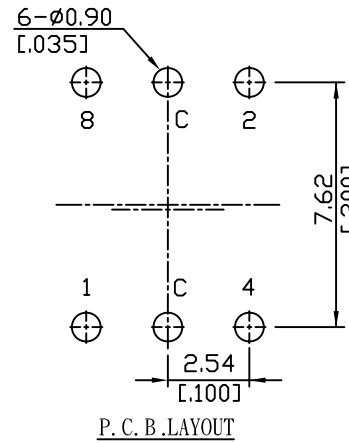


RTSW-D-16



RTSW-D-10

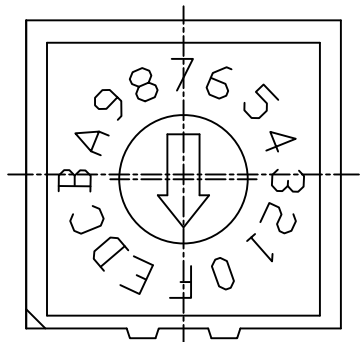


P. C. B. LAYOUT

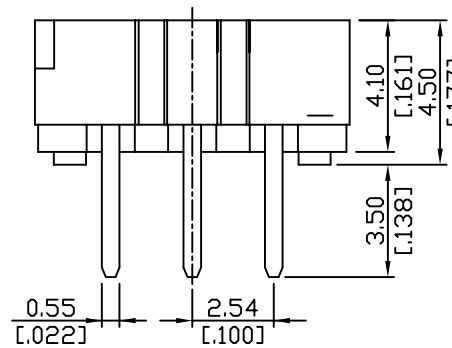
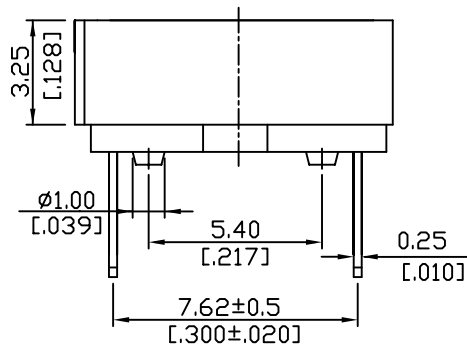
NOTE :

1. ALL DIMENSIONS ARE IN MILLIMETERS ,
BRACKETED DIMENSION ARE IN INCHS.
2. GENERAL TOLERANCE: ±0.2 mm

Available Mode No.
RTSW-D-10
RTSW-D-16
RTSW-D-16C



RTSW-D-16C



TYPE	POSITION	CODE			
		1	2	4	8
10	0 F	●	●	●	●
	1 E	○	●	●	●
	2 D	○	○	●	●
	3 C	○	○	●	●
	4 B	●	○	○	●
	5 A	○	●	○	●
	6 9	●	○	○	●
	7 8	○	○	○	●
	8 7	○	○	●	○
	9 6	○	●	●	○
16 ,C	A 5	●	○	●	○
	B 4	○	○	●	○
	C 3	●	●	○	○
	D 2	○	●	○	○
	E 1	●	○	○	○
	F 0	○	○	○	○

CIRCUIT CHART

RoHS Compliant

TOLERANCES ARE

MORETHANALL
PCB CONNECTORS
Cable ASSEMBLIES

DRAWING BY CY

CHECKED BY GENIUS

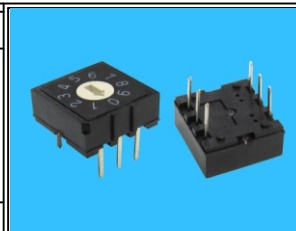
UNIT / mm SCALE 1 : 1

DATE

SIZE A4

X, ±
.X ±
.XX ±
.XXX ±
ANG ±

P PROJECTION



ORDER INFORMATION

RTSW-D-xx-LF
SERIES | LEADFREE
10~16C
DIP 180°

DESCRIPTION: ROTARY TYPE DIP SWIT

煜倫股份有限公司

www.morethanall.com