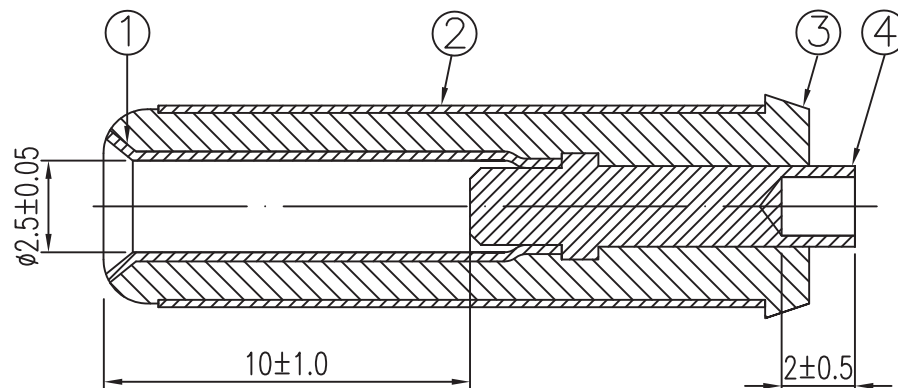
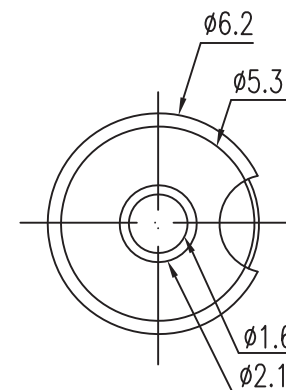
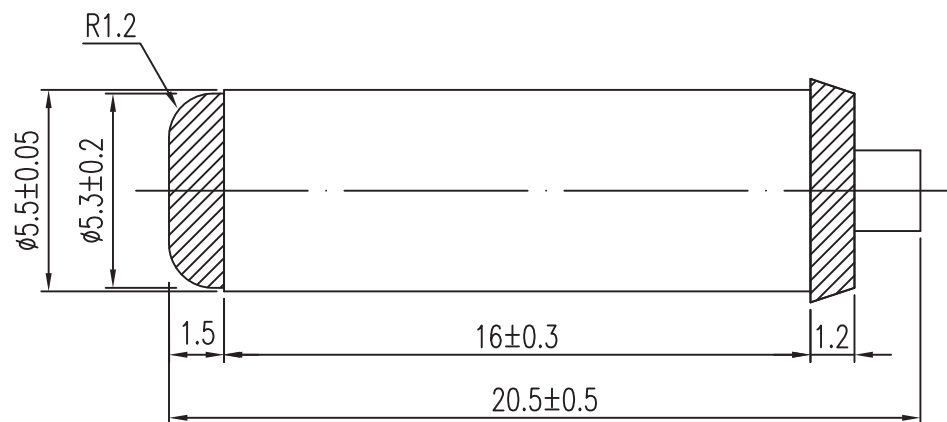


一般公差	
尺寸區分	公差
0>1.0	±0.1
1.0>6.0	±0.2
6.0>12.0	±0.3
12.0>25.0	±0.4
25.0>	±0.5



4	BRASS NICKEL
3	POM BLACK
2	BRASS NICKEL
1	BRASS NICKEL
NO	CONTENT

RoHS Compliant

TOLERANCES ARE

MORETHANALL
PCB CONNECTORS
Cable ASSEMBLIES

煜倫股份有限公司

www.morethanall.com

DRAWING BY CY

CHECKED BY GENIUS

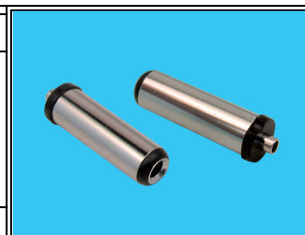
UNIT/mm SCALE 1:1

DATE

SIZE A4

X. ±
.X ±
.XX ±
.XXX ±
ANG ±

PPOJECTION



ORDER INFORMATION

DCP-S-5525-LF
SERIES | LEADFREE
5.5ØX2.5Ø
SOLDER

DESCRIPTION: DC PLUG 5.5X2.5-205L