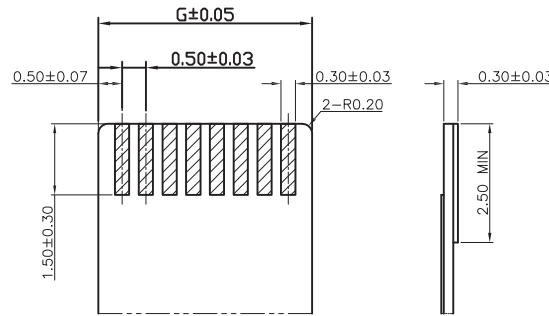
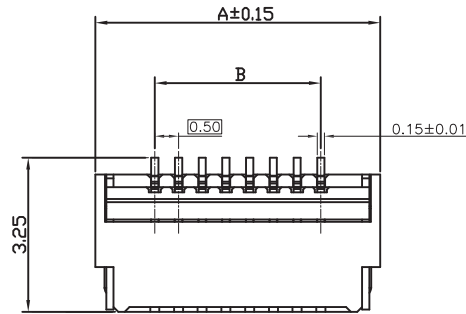
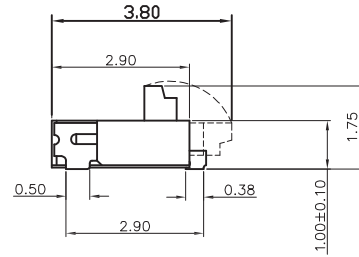
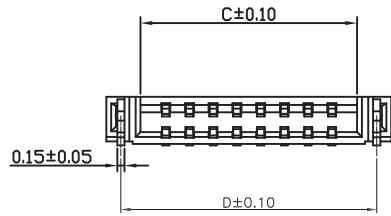
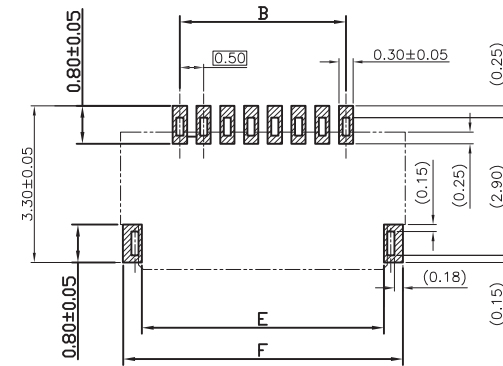


Material:

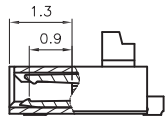
- 1.1 Housing: thermoplastic high temp
- 1.2 Latch: thermoplastic high temp
- 1.3 Terminal: Copper alloy
- 1.4 Fitting Nail: Copper alloy



RECOMMENDED FFC/FPC DIM.



PCB LAYOUT



PIN NO.	DIM A	DIM B	DIM C	DIM D	DIM E	DIM F	DIM G
04~39	N×0.5+2	<N-1>×0.5	N×0.5+0.57	N×0.5+1.4	N×0.5+1.1	N×0.5+1.9	N×0.5+0.5
41~50							

(5P DON'T OFFER)

RoHS Compliant

TOLERANCES ARE

**MORETHANALL**  
PCB CONNECTORS  
Cable ASSEMBLIES

DRAWING BY CY

X, ±

CHECKED BY GENIUS

.X ± 0.20

UNIT / mm

SCALE 1 : 1

.XX ± 0.15

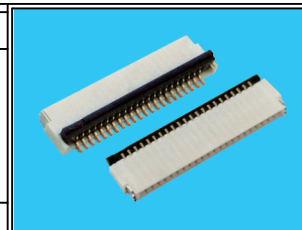
DATE

.XXX ± 0.10

ANG ±

SIZE A4

PJECTION



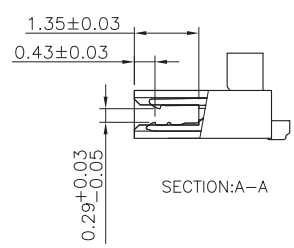
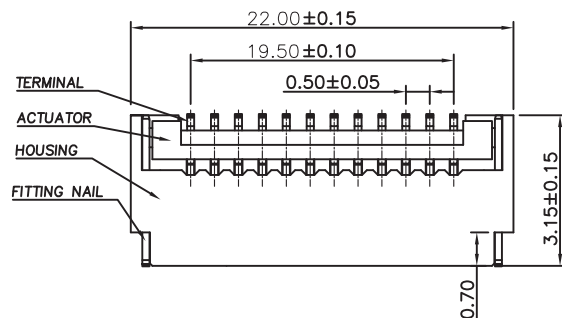
ORDER INFORMATION

FPV-WRD10GF3-xx-LF  
SERIES | | | | | LEADFREE  
90°SMT | | | | | 04~39,41~50WAY  
ROTARY ZIF | | | | | CABLE t=0.3mm  
HIGH 1.0mm  
DUAL CONTACTS

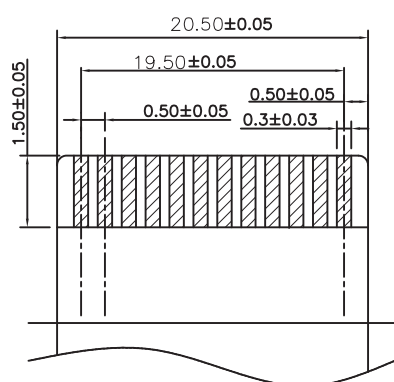
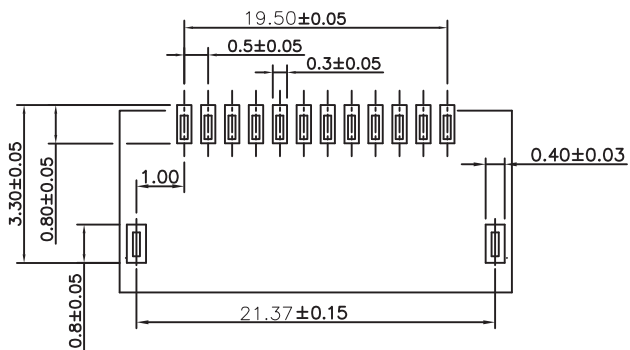
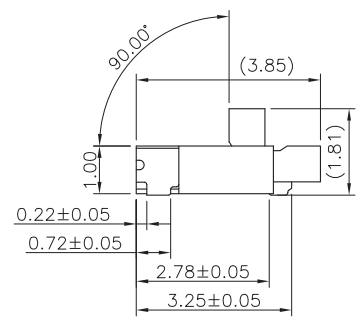
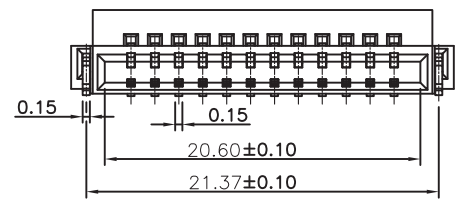
煜倫股份有限公司

www.morethanall.com

DESCRIPTION: 0.5mm ZIF FPC CONNECTOR PIANO TYPE 1.0H (Back-Flip)



- NOTES:
- MATERIAL:  
HOUSING: HIGHT-TEMP PLASTIC,UL 94-V0,COLOR:NATURE;  
COVER: HIGHT-TEMP PLASTIC,UL 94-V0,COLOR:BLACK;  
CONTACT: COPPER ALLOY;  
LEG: COPPER ALLOY;
  - PLATING:  
CONTACT: GOLD OR TIN PLATED ON NICKEL OVERALL.  
LEG: TIN PLATED ON NICKEL OVERALL.
  - RATING:  
CURRENT RATING: 0.5A AC/DC  
VOLTAGE RATING: 25V AC/DC  
TEMPERATURE RANGE: -25°C~+85°C;



RECOMMENDED PCB LAYOUT  
TOLERANCE : ±0.05  
(N=CIRCUITS)

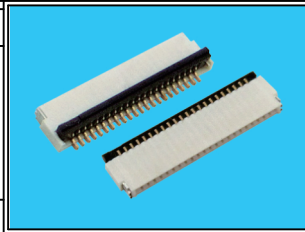
APPLICABLE FPC DIMENSION(REF)  
(THICKNESS 0.30±0.03)

RoHS Compliant

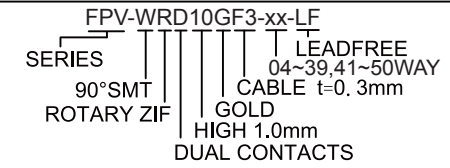
TOLERANCES ARE

**MORETHANALL**  
PCB CONNECTORS  
Cable ASSEMBLIES  
煜倫股份有限公司  
www.morethanall.com

DRAWING BY CY		X, ± .X ± 0.20 .XX ± 0.15 .XXX ± 0.10 ANG ±
CHECKED BY GENIUS		
UNIT / mm	SCALE 1 : 1	
DATE		
SIZE A4	PJECTION	



ORDER INFORMATION



DESCRIPTION:0.5mm ZIF FPC CONNECTOR PIANO TYPE 1.0H (Back-Flip)