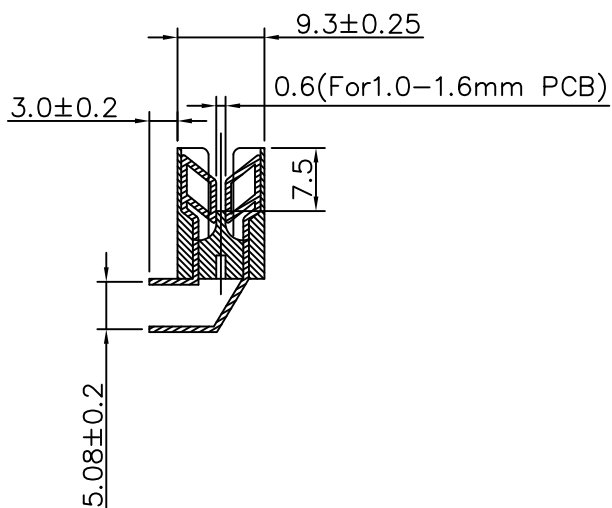
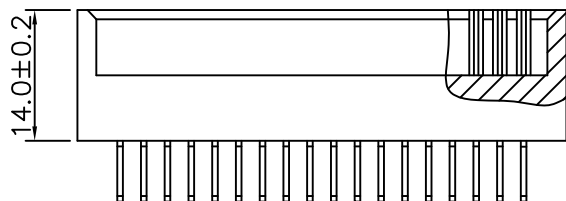


Recommended PCB Layout



**SPECIFICATIONS**

Current Rating:3A  
 Dielectric Withstanding Volatge:1000V AC/1 Min  
 Contact Resistance:20Milliohms Max  
 Insulation Resistance:5000Megohm Min At 500V DC  
 Operating Temperature:-55°C~+85°C  
 Insertion Force:340g Max Per Pair  
 Withdrawal Force:28g Min Per Pair  
 Insulator:Glass-Fiber PBT(UL94V-0)  
 Contact: Brass (B)  
 Plating:Gold Plating Over Nickel.  
 RoHS Compliant

RoHS Compliant

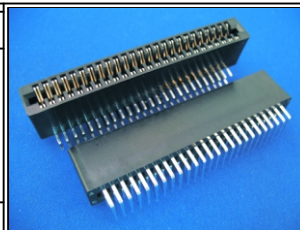
TOLERANCES ARE



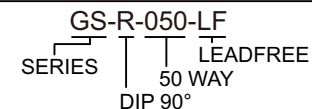
煜倫股份有限公司

www.morethanall.com

DRAWING BY CY		X.± .X± .XX± .XXX± ANG±
CHECKED BY GENIUS		
UNIT / mm	SCALE 1 : 1	
DATE		
SIZE A4	PPOJECTION	



ORDER INFORMATION



DESCRIPTION: