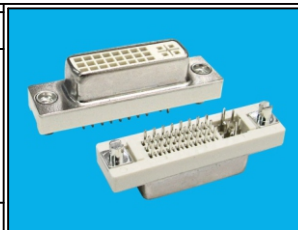
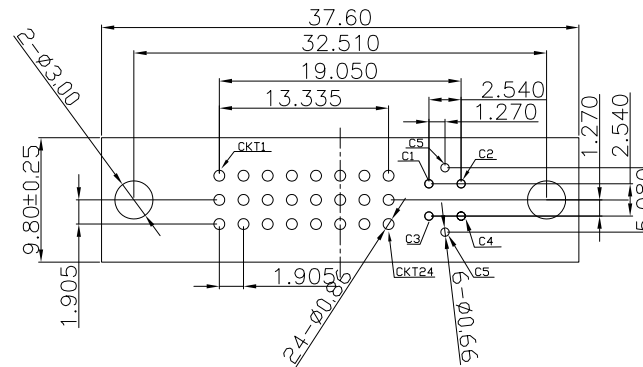
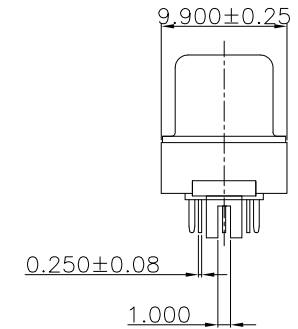
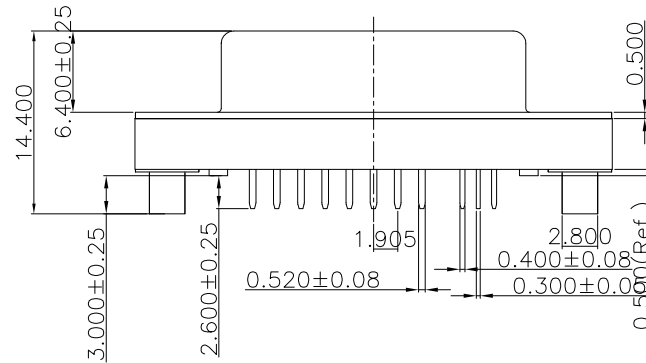
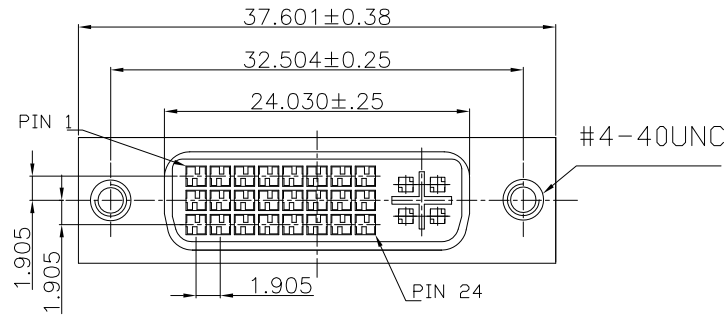


NOTE:

- 1.MATERIALS AND FINISHED
 INSULATOR : PA66+30% GF UL 94V-0,
 SHELL : STEEL, NI OR SN FINISHED
 CONTACT MATERIAL : BRASS, SELEVITE GOLD FINISHED
 RIVETED INSERT: BRASS MATERIAL ,TIN FINISHED
 SCREWS : BRASS OR STEEL , NICKEL FINISHED
 WITH #4-40 THREADED ASSEMBLED
- 2.ELECTRICAL CHARACTERISTICS
 CURRENT RATING : 1.5 AMP DC
 VOLTAGE RATING: 40 V DC
 CONTACT RESISTANCE :20 MILLIOHMS MAX.
 DIELECTRIC WITHSTANDING VOLTAGE : 500 V AC MIN.
 INSULATION RESISTANCE : 1000 MEGAOHMS MIN.
- 3.MECHANICAL
 MATING FORCE:4.5Kgf MAX.
 UNMATING FORCE:1.0-4.0 Kgf
- 4.ENVIRONMENTAL
 OPERATING TEMPERATURE: -55°C ~ +85°C
 STORAGE TEMPERATURE:-55°C ~ +105°C



RoHS Compliant

TOLERANCES ARE

DRAWING BY	CY	X. ± 0.30
CHECKED BY	GENIUS	.X ± 0.35
UNIT / mm	SCALE 1 : 1	.XX ± 0.25
DATE		.XXX ± 0.15
		ANG ± 1°

SIZE A4 PPROJECTION

ORDER INFORMATION

DVI-SDN-24+5-LF
 SERIES | | LEADFREE
 | | 24+5 PIN
 | NUT
 | DIP 180°
 FEMALE

DESCRIPTION: DVI 24+5 FEMALE 180° DIP TYPE 鉚釘8.25/針長3.1

MORETHANALL
 PCB CONNECTORS
 Cable ASSEMBLIES

煜倫股份有限公司

www.morethanall.com