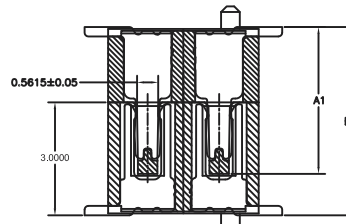
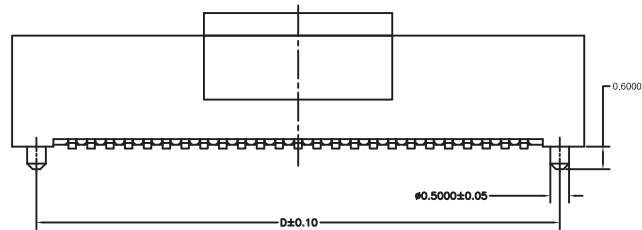


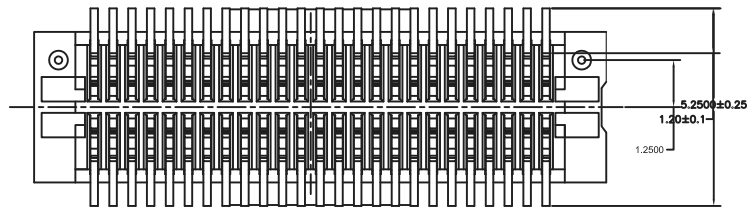
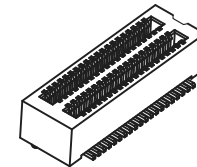
**Specifications:**

1. Current Rating : 0.5A AC/DC
2. Voltage Rating : 50V AC/DC
3. Contact Resistance : 30m ohm. max.
4. Insulation Resistance : 100M ohm. min.at 100V DC
5. Withstanding Voltage : 100V AC for one minute
6. Operating Temperature Range : -20°C to +105°C

- Material and Plated
- 1.Housing :High Temp. Plastic (LCP UL94V-0)  
Color :White
  - 2.Contact : Phosphor Bronze
  - 3.Plated : Gold Plated



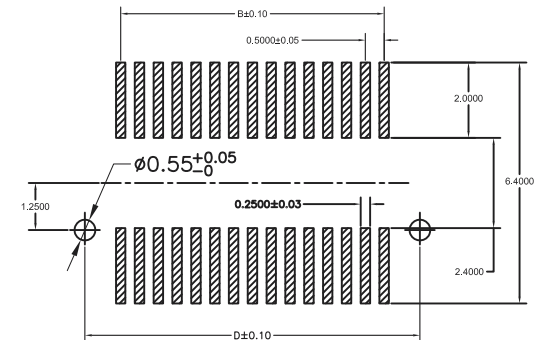
Mating Drawing (Ref)



Dim. L	Applicable Number
5.00	(10 to 48) Pin
12.0	(50 to 120) Pin

**Mating Dimension**

P/N(Plug)	P/N(Socket)	Plug Height Dim A1	Mating Height Dim B1
NP05K-P20PC-xxx	NP05K-S30PC-xxx	3.90	5.0
NP05K-P25PC-xxx	NP05K-S30PC-xxx	4.40	5.5



PCB LAYOUT

Dimension :  $\triangle B$

Contact	DIM. A	DIM. B	DIM. C	DIM. D	Contact	DIM. A	DIM. B	DIM. C	DIM. D
10	5.20	2.00	2.96	3.90	70	20.20	17.00	17.96	18.90
20	7.70	4.50	5.46	6.40	80	22.70	19.50	20.46	21.40
30	10.20	7.00	7.96	8.90	90	25.20	22.00	22.96	23.90
40	12.70	9.50	10.46	11.40	100	27.70	24.50	25.46	26.40
50	15.20	12.00	12.96	13.90	120	32.70	29.50	30.46	31.40
60	17.70	14.50	15.46	16.40					

**RoHS Compliant**



煜倫股份有限公司

www.morethanall.com

DRAWING BY CY

CHECKED BY GENIUS

UNIT/ mm  
DATE

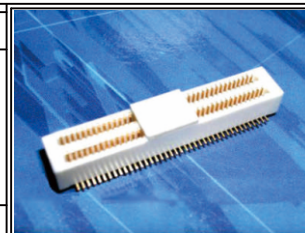
SCALE 1:1

SIZE A4

PJECTION

**TOLERANCES ARE**

- X. ±
- .X ± 0.20
- .XX ± 0.15
- .XXX ±
- ANG ±



**ORDER INFORMATION**

NP05K-S30PC-xxx-LF

SERIES | | | LEADFREE  
010~120WAY  
CAP POST  
UNMATED HIGH 3.0mm  
FEMALE

DESCRIPTION: 0.5mm Board To Board Socket 3.0mm Height