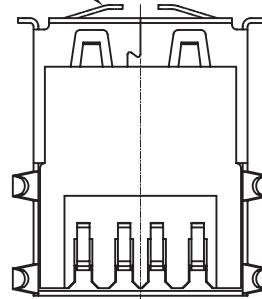
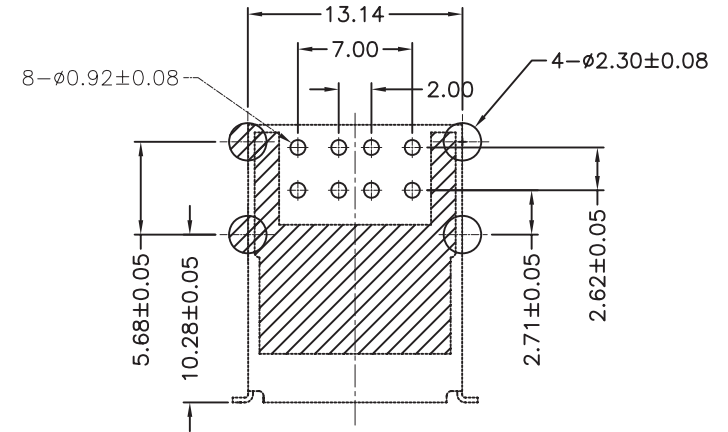


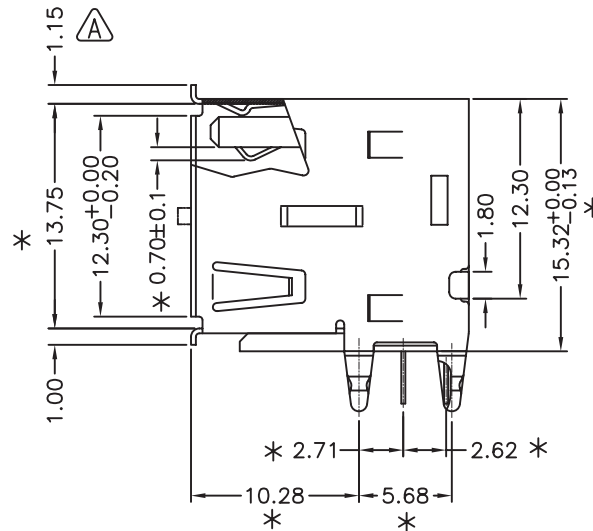
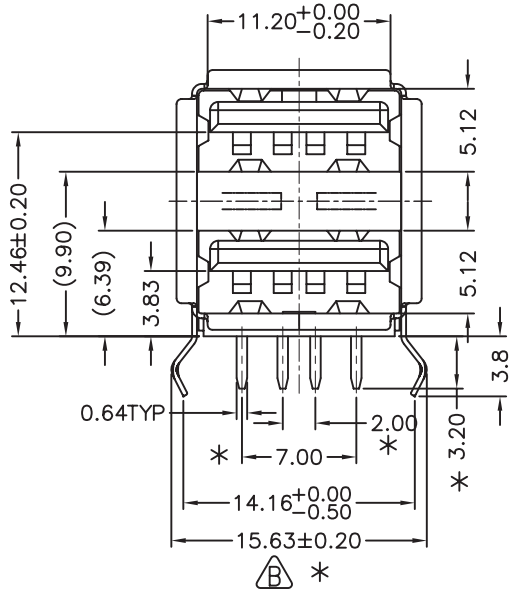
彈片可按需求保留或無



BOTTOM VIEW



RECOMMAND P.C.Board HOLE LAYOUT



NOTE:

MATERIAL:

- 1).TERMINAL: PHOSPHOR BRONZE
- 2).TERMINAL PLATED: GOLD PLATING ON CONTACT AREA 100u" MIN. TIN ON SOLDER TAILOVER 50~100u" MIN. NICKEL.
- 3).FRONT SHELL: BRASS T=0.30mm
BACK SHELL: SPCC. T=0.30mm
SPRING SHELL: BRASS T=0.30mm
- 4).FRONT SHELL& SPRING SHELL PLATED: TIN PLATED
BACK SHELL : NICKEL PLATED
- 5).HOUSING: P.B.T+30% G.F(UL94V-0) RATED

SPECIFICATION

- 1).CONTACT RESISTANCE: 25m Ω (MAX)
- 2).INSULATION RESISTANCE: 1000M Ω (MAX)
- 3).DIELECTRIC:WITHSTANDING VOLTAGE: 750A VC AT SEA LEVEL
- 4).MATING FORCE: 35N MAX
UNMATING FORCE: 10N MIN.

RoHS Compliant

TOLERANCES ARE

MORETHANALL
PCB CONNECTORS
Cable ASSEMBLIES

煜倫股份有限公司

www.morethanall.com

DRAWING BY CY

CHECKED BY GENIUS

UNIT/mm

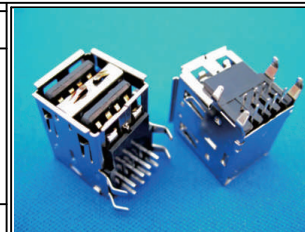
SCALE 1:1

DATE

SIZE A4

PJECTION

X. ±
.X ± 0.15
.XX ± 0.13
.XXX ± 0.05
ANG ± 1°



ORDER INFORMATION

USBB1-FRSBK-4A-LF

SERIES | | | | LEADFREE
| | | | 4 PIN A TYPE
| | | | BLACK
| | | | SPRING
| | | | DIP 90°
| | | | FEMALE

DESCRIPTION: USB A TYPE DOUBLE