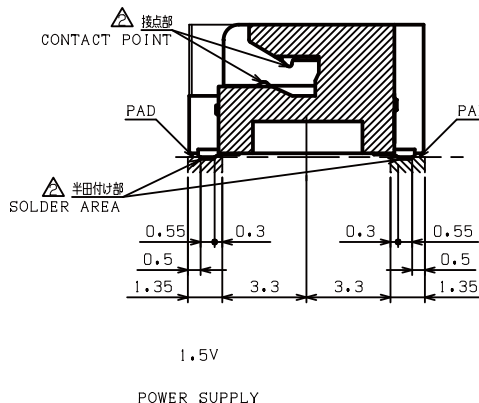


DETAIL E
MECHANICAL KEY TYPE



NOTES.

- 1. 材質: ハウジング: LCP樹脂, UL94V-0, 色: 黒色
 コンタクト: 銅合金
 メタルラッチ: ステンレス
 MATERIAL: HOUSING: LCP, UL94V-0, COLOR: BLACK
 CONTACT: COPPER ALLOY
 METAL LATCH: SUS
- △ メッキ: コンタクト (接点部, 半田付け部): 金メッキ 0.0075μm MIN, ニッケル下地 1.5μm MIN,
 PLATING: CONTACT (CONTACT POINT, SOLDER AREA):
 Au PLATE 0.0075μm MIN, Ni UNDER PLATE 1.5μm MIN.
- △ コネクタを平坦面に置き、端子半田付け部の厚さは、0.1mm以下
 MUST BE MEASURED FLOATING AMOUNT OF CONTACT TAILS
 FROM DATUM SURFACE IS 0.1mm MAX.

- △ 倍率適用外寸法
 NOT TO SCALE.
- △ 公差非累積
 TOLERANCES NON-CUMULATIVE
- △ 他社のソケット用
 FOR SOCKET OF THE OTHER COMPANIES

RoHS Compliant

TOLERANCES ARE

MORETHANALL
PCB CONNECTORS
Cable ASSEMBLIES

DRAWING BY CY

X, ±
.X ± 0.20

CHECKED BY GENIUS

.XX ±

UNIT / mm SCALE 1 : 1

.XXX ±
ANG ± 3°

DATE

SIZE A4

PJECTION



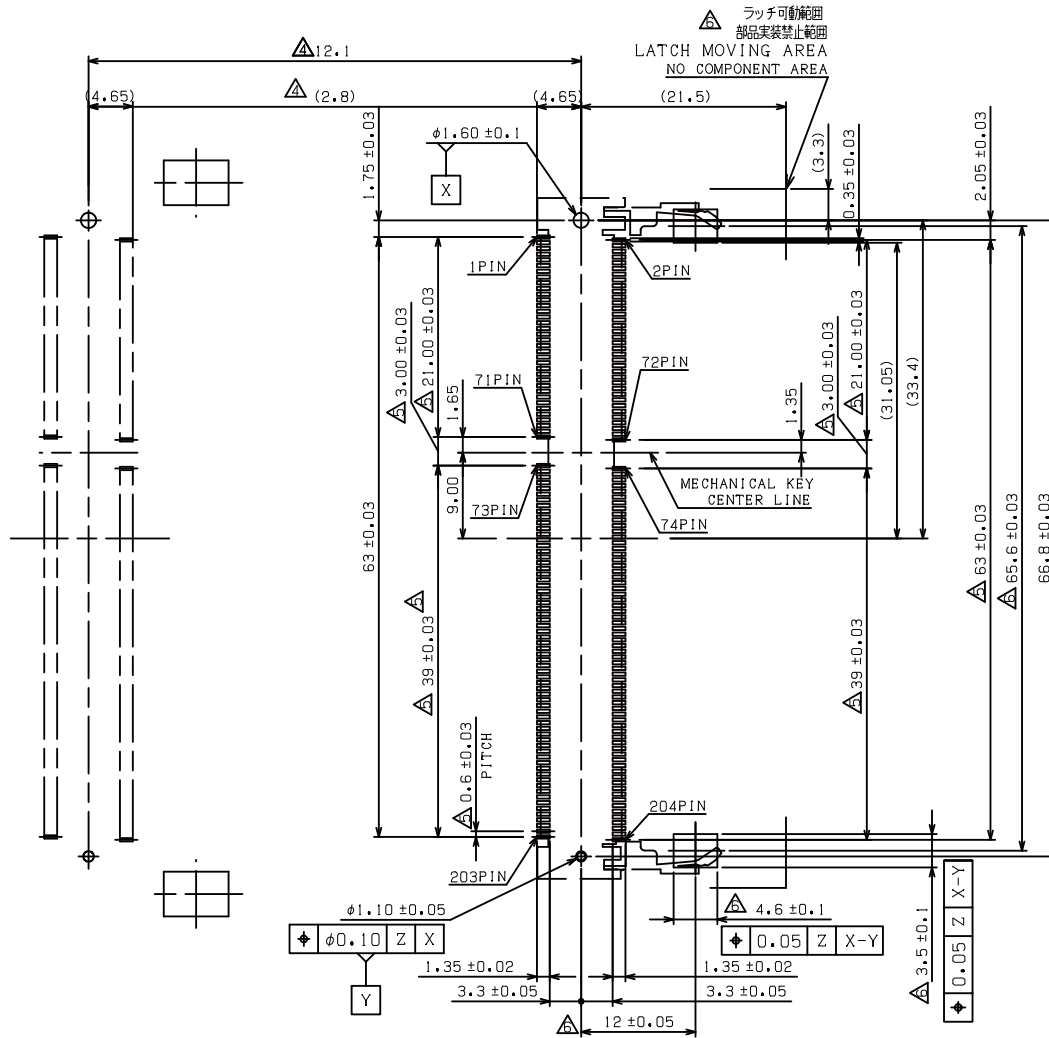
ORDER INFORMATION

SDM6-W52V15-72A3-LF
 SERIES | | | LEADFREE
 | | | 204 WAY
 | | | 1.5V
 | | | HIGH 5.2mm
 | | | 90°SMT

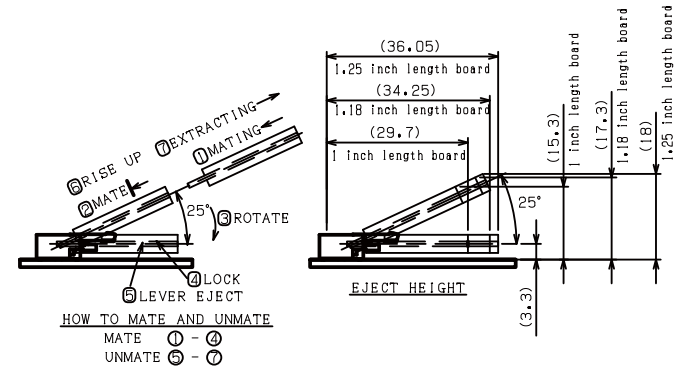
DESCRIPTION: FOR 204PIN DDR S.O DIMM(DDR3)

煜倫股份有限公司

www.morethanall.com



推奨基板レイアウト寸法
RECOMMENDED MOUNTING
P.C. BOARD PATTERN LAYOUT DIM.



煜倫股份有限公司

www.morethanall.com

RoHS Compliant

DRAWING BY CY

CHECKED BY GENIUS

UNIT / mm

SCALE 1:1

DATE

SIZE A4

TOLERANCES ARE

X, ±
.X ± 0.20
.XX ±
.XXX ±
ANG ± 3°

PJECTION



ORDER INFORMATION

SDM6-W52V15-72A3-LF

SERIES

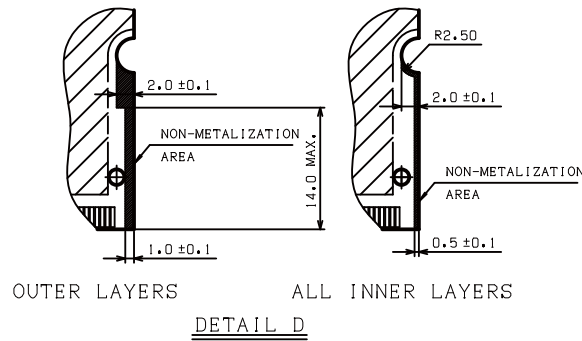
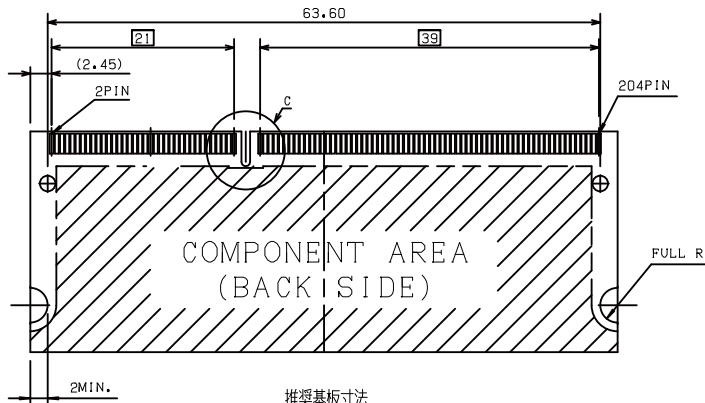
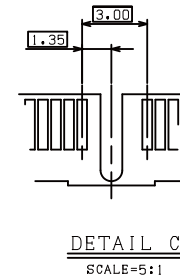
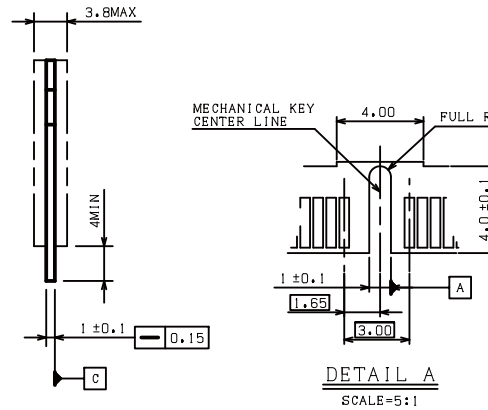
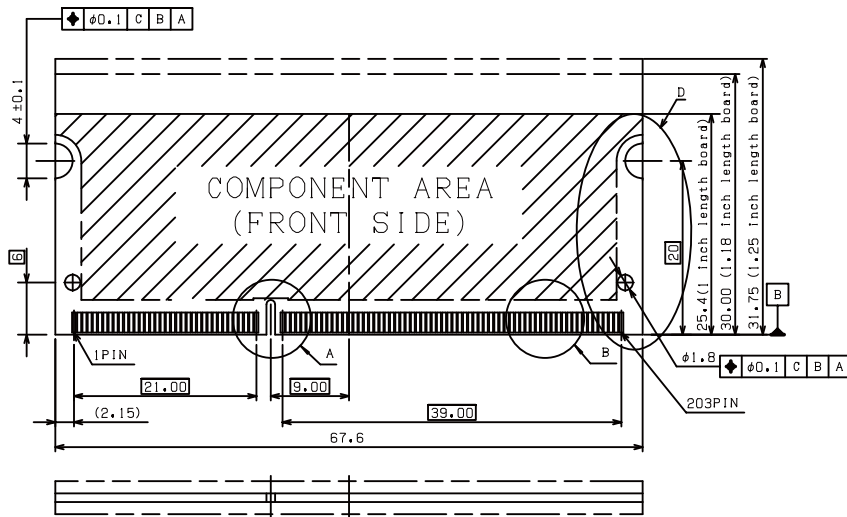
LEADFREE

204 WAY

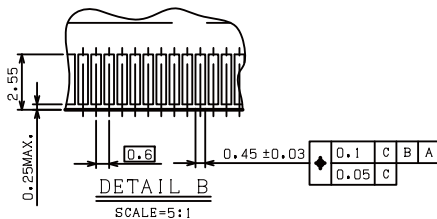
1.5V
HIGH 5.2mm

90°SMT

DESCRIPTION: FOR 204PIN DDR S.O DIMM(DDR3)



推奨基板寸法
RECOMMENDED MATING
P.C. BOARD DIM.



注記: (SHEET 3 に適用)

NOTES: (APPLIED TO SHEET 3)

1. 一般公差±0.15

TOLERANCES ON ALL DIMENSION ±0.15 UNLESS OTHERWISE SPECIFIED.

2. 基板厚寸法は、メッキ厚を含む。

P.C. BOARD THICKNESS APPLIES ACROSS TABS AND INCLUDES PLATING AND/OR METALIZATION.

3. パット部の仕上げ: ニッケル下地メッキ 0.002MIN. 厚の上に、金メッキ 0.000756MIN. 厚を施す。

FINISH OF PAD: GOLD PLATING 0.00076MIN. OVER NI PLATING 0.002MIN.

RoHS Compliant

TOLERANCES ARE

MORETHANALL
PCB CONNECTORS
Cable ASSEMBLIES

DRAWING BY CY

X, ±

CHECKED BY GENIUS

.X ± 0.20

UNIT / mm

SCALE 1:1

.XX ±

DATE

.XXX ±

ANG ± 3°

SIZE A4

PJECTION



ORDER INFORMATION

SDM6-W52V15-72A3-LF

SERIES

LEADFREE

1.5V

HIGH 5.2mm

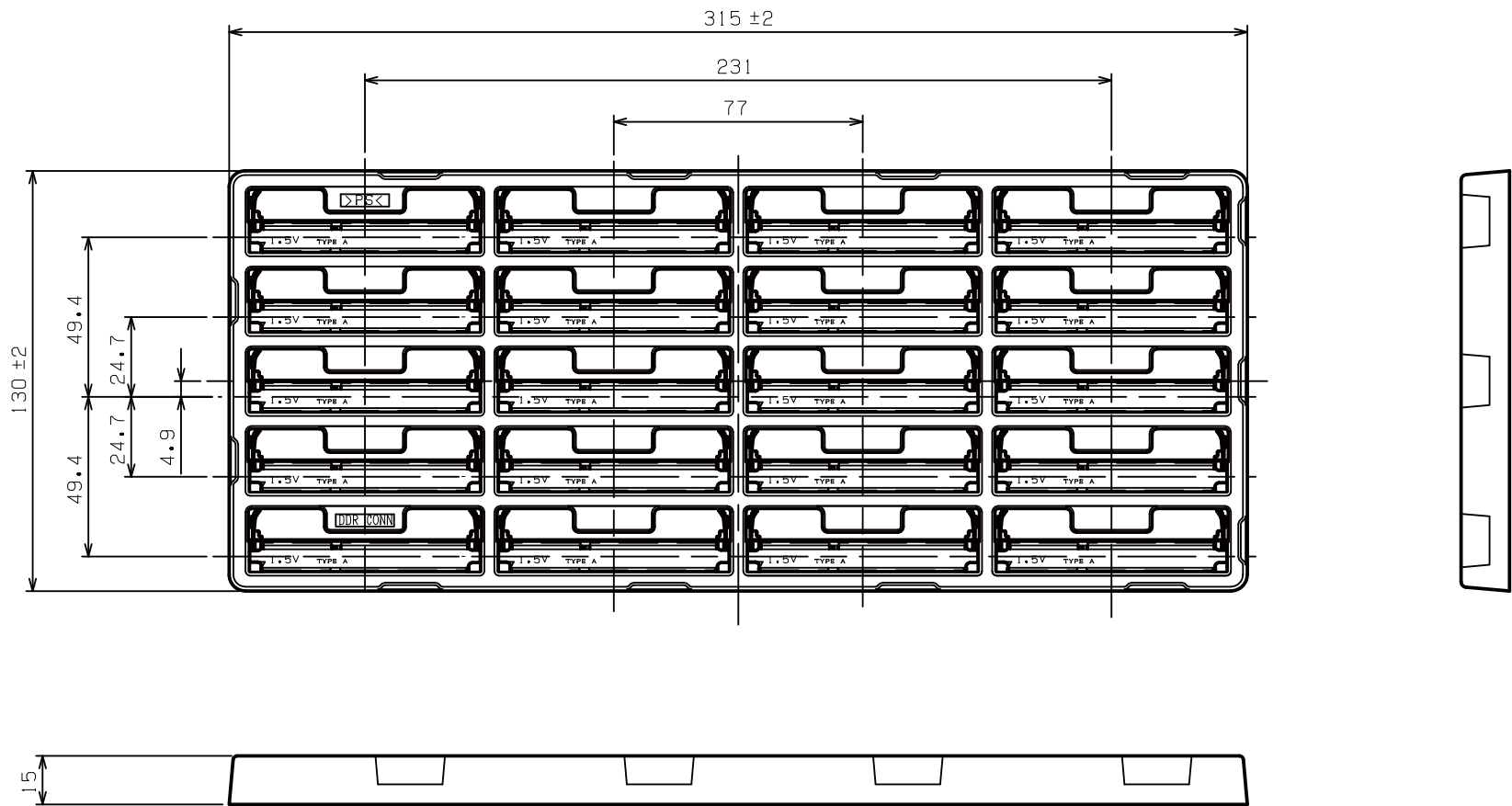
90°SMT

204 WAY

煜倫股份有限公司

www.morethanall.com

DESCRIPTION: FOR 204PIN DDR S.O DIMM(DDR3)



® SOFT TRAY PACKAGING

RoHS Compliant

TOLERANCES ARE

MORETHANALL
PCB CONNECTORS
Cable ASSEMBLIES

DRAWING BY CY

CHECKED BY GENIUS

UNIT / mm

SCALE 1 : 1

DATE

SIZE A4

PJECTION

X, ±
.X ± 0.20
.XX ±
.XXX ±
ANG ± 3°



ORDER INFORMATION

SDM6-W52V15-72A3-LF

SERIES | 1.5V | HIGH 5.2mm | 90°SMT | LEADFREE | 204 WAY

DESCRIPTION: FOR 204PIN DDR S.O DIMM(DDR3)

煜倫股份有限公司

www.morethanall.com