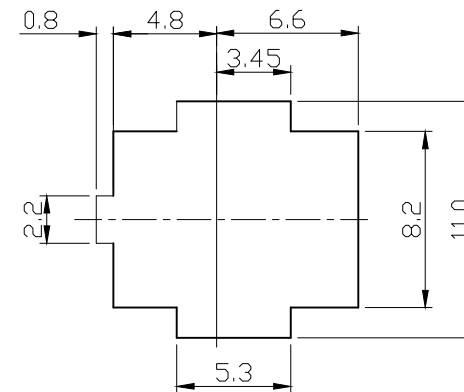
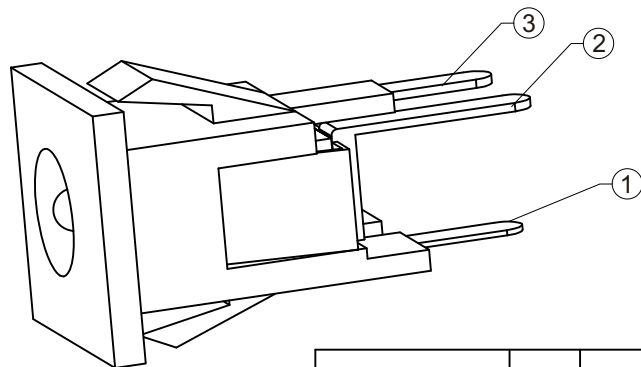


T:1.6 Dimensions of PC board holes  
Tolerance : ±0.05(Printed-top view)



PANEL CUT OUT (TOP VIEW)

CAT. NO.	PIN	SCHEMATIC
DCJ-DPA-20	∅2.0	
DCJ-DPA-25	∅2.5	

UNLESS OTHERWISE SPECIFIED, TOLERANCE ON DECIMAL: ±0.3

LTR	PART NAME	QTY	MATERIAL	REMARK
6	COVER	1	PF	UL-94V0
5	HOUSING	1	PA66	BLACK
4	PIN	1	H59(COPPER ALLOY)	Cu/Sn PLATED
3	CURVE PIECE	1	C2680 t=0.40	Ag PLATED
2	SPRING	1	C5191 t=0.25	Ag PLATED
1	FLAT PIECE	1	C2680 t=0.40	Ag PLATED

RoHS Compliant

TOLERANCES ARE

**MORETHANALL**  
PCB CONNECTORS  
Cable ASSEMBLIES

DRAWING BY CY

CHECKED BY GENIUS

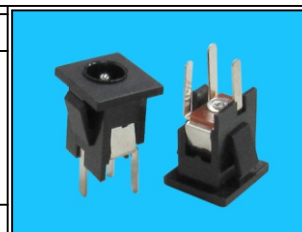
UNIT / mm SCALE 1 : 1

DATE

SIZE A4

X. ±  
.X ±  
.XX ±  
.XXX ±  
ANG ±

PJECTION



ORDER INFORMATION

DCJ-DPA-xx-LF  
SERIES | LEADFREE  
20:2.0DIA  
25:2.5DIA  
PANEL FRONT  
DIP 180°

煜倫股份有限公司

www.morethanall.com

DESCRIPTION: DC POWER JACK