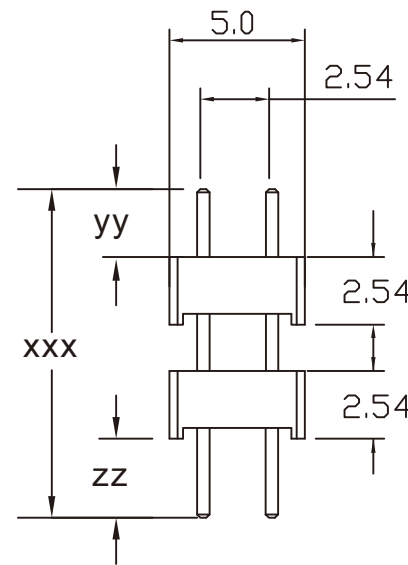
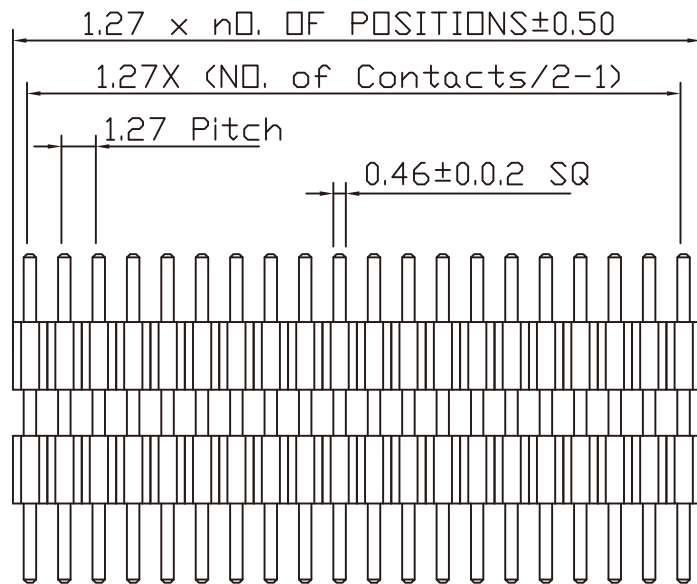
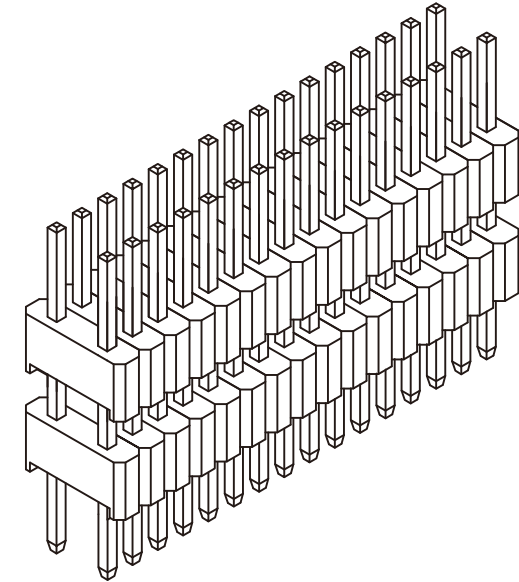


Conteract:

Contact:Brass.

Insuiator:Nylon 6T.

Finish:Gold flash plated over nickel.



RoHS Compliant

TOLERANCES ARE

MORETHANALL
PCB CONNECTORS
Cable ASSEMBLIES

煜倫股份有限公司

www.morethanall.com

DRAWING BY CY

CHECKED BY GENIUS

UNIT/mm

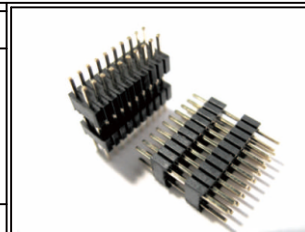
SCALE 1:1

DATE

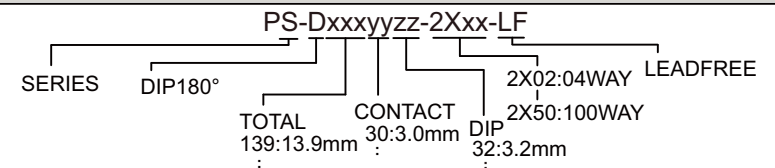
SIZE A4

P PROJECTION

X.±
.X±
.XX±
.XXX±
ANG±



ORDER INFORMATION



DESCRIPTION: 1.27X2.54 PIN HEADER SMT DUAL ROW