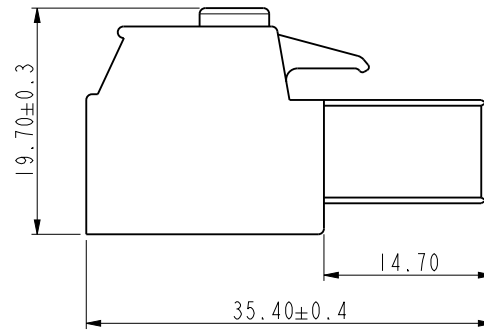
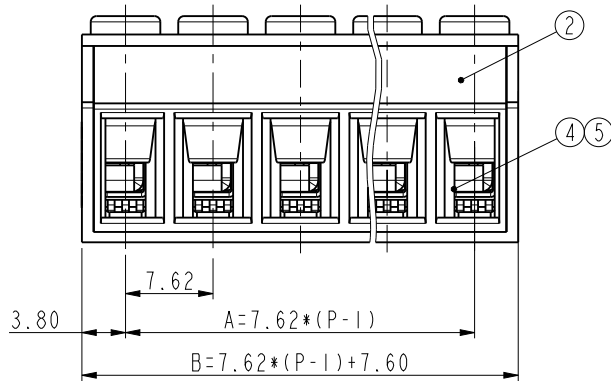
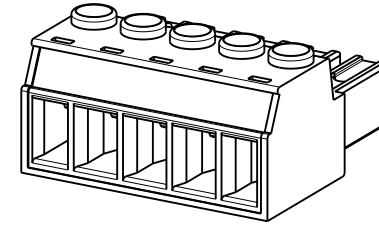


额定电压B组/Rated Voltage (Group B) (V) 600

额定电流B组/Rated Current (Group B) (A) 40



ITEM	NAME OF PART	MATERIAL	NOTES
5	CLAMP	HIGH PERFORMANCE COPPER ALLOY+STAINLESS STEEL	Tin Plated
4	WIRE CAGE	STEEL	M3/ Zn PLATED
3	SCREW2	STEEL	M3/ Zn Plated
2	COVER	PA66	UL94-V0
1	HOUSING	PA66	UL94-V0

P	2	3	4	5	6	7	8	9	10	11	12
A	7.62	15.24	22.86	30.48	38.1	45.72	53.34	60.96	68.58	76.2	83.82
B	15.22	22.84	30.46	38.08	45.7	53.32	60.94	68.56	76.18	83.8	91.42

RoHS Compliant

TOLERANCES ARE

MORETHANALL
 PCB CONNECTORS
 Cable ASSEMBLIES

DRAWING BY CY

CHECKED BY GENIUS

UNIT / mm

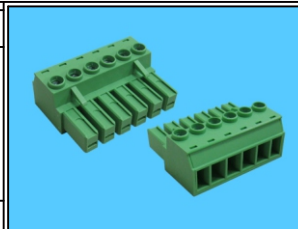
SCALE 1:1

DATE

SIZE A4

X, ±
 .X ±
 .XX ±
 .XXX ±
 ANG ±

PJECTION



ORDER INFORMATION

TBH076-SWC35-xx-LF

SERIES

LEADFREE
 02~12WAY
 LONG 35.40mm
 CAGE
 SCREW WIRE
 FEMALE

煜倫股份有限公司

www.morethanall.com

DESCRIPTION: