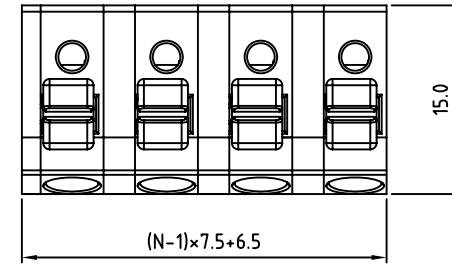
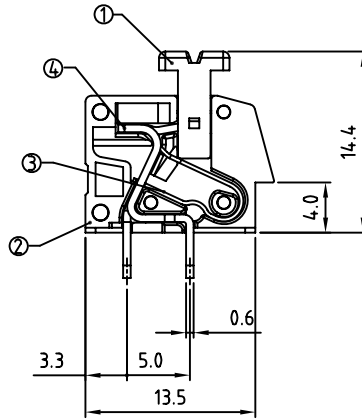


Material:

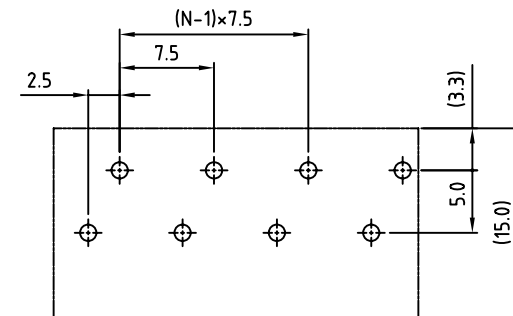
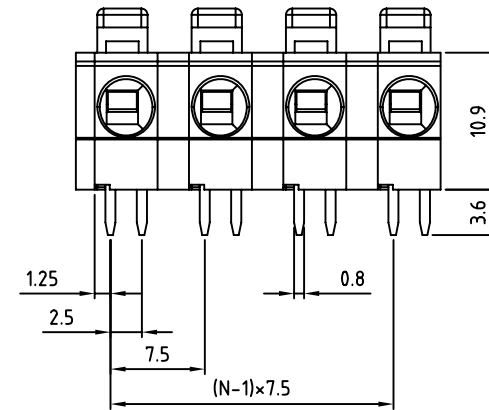
- Item ① Insulator(lever): Thermoplastic (UL94V-0)
- Item ② Insulator(housing): Thermoplastic (UL94V-0)
- Item ③ Wire guard: Stainless steel
- Item ④ Terminal Body(contact pin): Brass.

Electrical:

- UL
- Voltage rating: 300 V
- Current rating: 10 A
- Wire range:
- Solid wire(AWG): 12-20
- Stranded wire(AWG): 12-20
- Wire strip length: 10-11 mm
- Withstanding Voltage: 1.6KV
- Operating temperature: -33°C to +105°C
- Soldering temperature: 250°C ±10°C/5 Sec



N= Number of poles



PCB Layout

RoHS Compliant

TOLERANCES ARE

MORETHANALL
PCB CONNECTORS
Cable ASSEMBLIES

煜倫股份有限公司

www.morethanall.com

DRAWING BY CY

CHECKED BY GENIUS

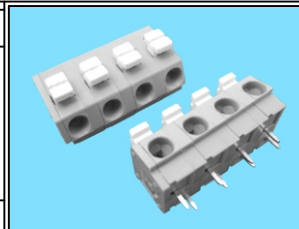
UNIT / mm SCALE 1 : 1

DATE

SIZE A4

X, ±
.X ±
.XX ±
.XXX ±
ANG ±

PPOJECTION



ORDER INFORMATION

TBX075-R14-xx-LF

SERIES | LEADFREE
02-24WAY
HIGH 14.4mm
DIP 90°

DESCRIPTION: