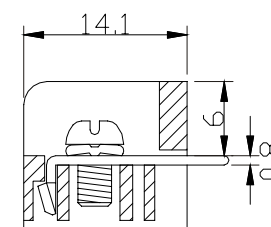
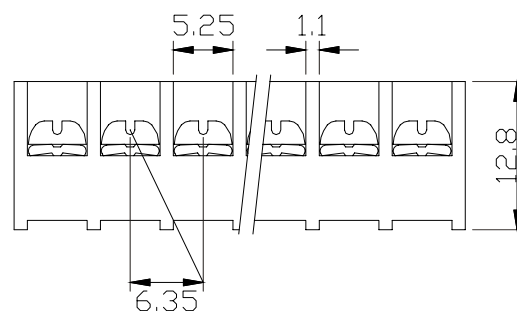
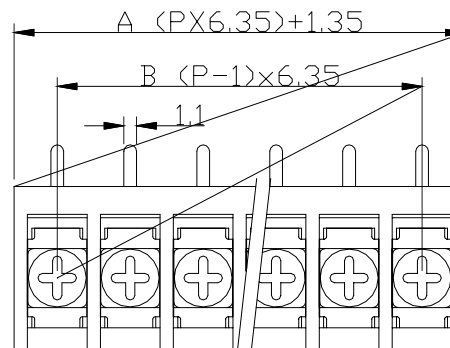


SPECIFICATIONS

BARRIER MATERIAL: THERMOPLASTIC (UL 94V-0).BLACK
 TERMINALS: TIN PLATED BRASS
 SCREWS: NICKEL PLATED STEEL
 WIRING RANGE: 18-22 STR
 RATING: 13 AMPERES. 250 VAC
 INSULATION WITHSTANDS VOLTAGE AC 2000V
 INSULATION RESISTANCE 500 Ω OR MORE AT DC 500V



POL E	2	3	4	5	6	7	8	9	10	11	12	13	14	15			
A	14.05	20.4	26.75	33.1	39.45	45.8	52.15	58.5	64.85	71.2	77.55	83.9	90.25	96.6			
B	6.35	12.7	19.05	25.4	31.75	38.1	44.45	50.8	57.15	63.5	69.85	76.2	82.55	88.9			
POL E	16	17	18	19	20	21	22	23	24	25	26	27	28	29	30	31	32
A	102.95	109.3	115.65	122.0	128.35	134.7	141.05	147.4	153.75	160.1	166.45	172.8	179.15	185.5	191.85	198.2	204.55
B	95.25	101.6	107.95	114.3	120.65	127	133.35	139.7	146.05	152.4	158.75	165.1	171.5	177.8	184.2	190.5	196.9

RoHS Compliant

TOLERANCES ARE

MORETHANALL
 PCB CONNECTORS
 Cable ASSEMBLIES

煜倫股份有限公司

www.morethanall.com

DRAWING BY CY

CHECKED BY GENIUS

UNIT / mm

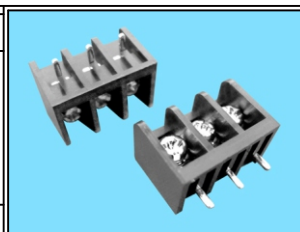
SCALE 1 : 1

DATE

SIZE A4

P PROJECTION

X. ±
 .X ±
 .XX ±
 .XXX ±
 ANG ±



ORDER INFORMATION

TBC063-U-xx-LF
 SERIES | LEADFREE
 02-32WAY
 UP/RIGHT

DESCRIPTION: