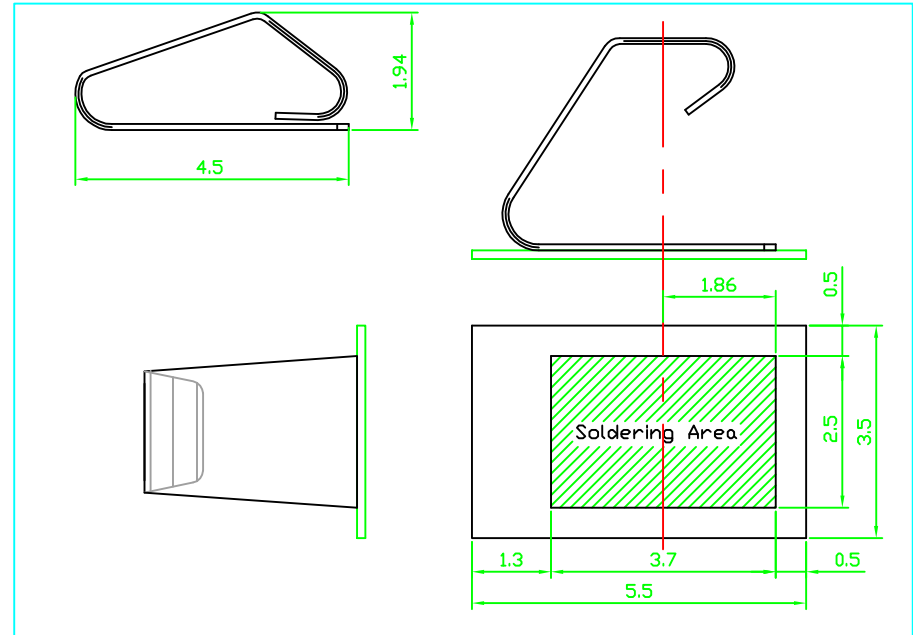


PCB Recommend Layout Pattern



- Note:
- 1.Plating: Au 1u" over Nickel.(Barrel Plating)
 - 2.T:0.1mm

尺寸公差±0.2mm

RoHS Compliant

TOLERANCES ARE

MORETHANALL
PCB CONNECTORS
Cable ASSEMBLIES

DRAWING BY CY

X.±

CHECKED BY GENIUS

.X±

UNIT / mm

SCALE 1 : 1

.XX±

DATE

.XXX±

ANG ±

SIZE A4

PPOJECTION



ORDER INFORMATION

OGT-VXG01R-452535-LF

SERIES

REEL

GOLD 1u"

NON POST

180°SMT

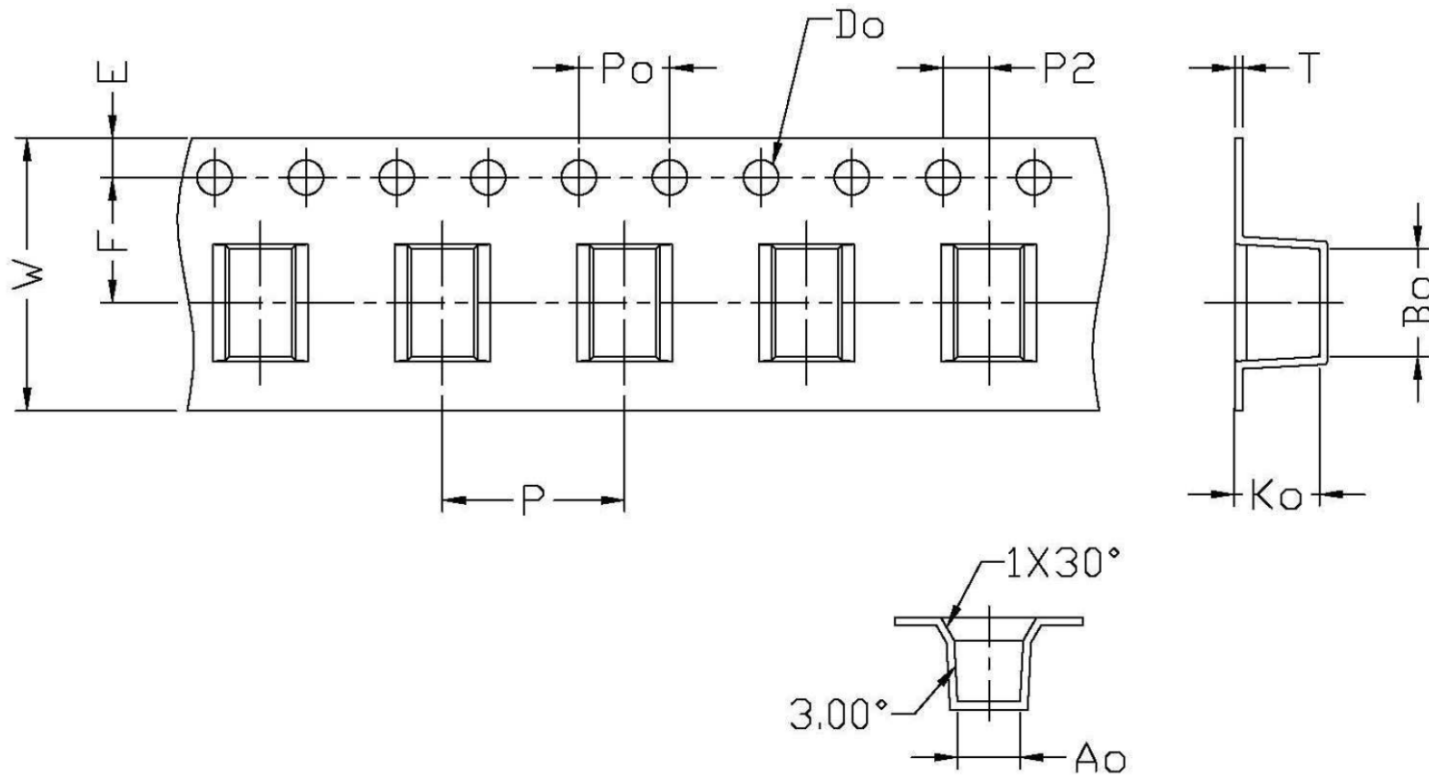
LEADFREE

4.50X2.50X3.50mm

煜倫股份有限公司

www.morethanall.com

DESCRIPTION:



ITEM	DIM	ALTERNATE
W	12.00 ^{+0.30} _{-0.30}	
E	1.75 ^{+0.10} _{-0.10}	
F	5.50 ^{+0.05} _{-0.05}	
P	8.00 ^{+0.10} _{-0.10}	
P0	4.00 ^{+0.10} _{-0.10}	
P2	2.00 ^{+0.05} _{-0.05}	
Do	∅1.50 ^{+0.10} _{-0.00}	
T	0.35 ^{+0.05} _{-0.05}	
A0	2.75 ^{+0.10} _{-0.10}	
Bo	4.75 ^{+0.10} _{-0.10}	
Ko	3.70 ^{+0.10} _{-0.10}	

1. 10 sprocket hole pitch cumulative tolerance ±0.20mm.
2. Carrier camber not to exceed 1mm in 250mm.
3. A₀ and B₀ measured on a plane 0.3mm above the bottom of the pocket.
4. K₀ measured from a plane on the inside bottom of the pocket to the top surface of the carrier.
5. All dimensions meet EIA-481-B requirements.
6. Packing length per 22" reel : 49.8 Meters.
7. Components loaded per 13" reel : 2000 pcs. (CG-134 : 4" core)

RoHS Compliant

TOLERANCES ARE

MORETHANALL
PCB CONNECTORS
Cable ASSEMBLIES

DRAWING BY CY

X.±

CHECKED BY GENIUS

.X±

UNIT / mm

SCALE 1 : 1

.XXX±

DATE

ANG±

SIZE A4

PJECTION



ORDER INFORMATION

OGT-VXG01R-452535-LF

SERIES

REEL

GOLD 1u"

NON POST

180°SMT

LEADFREE

4.50X2.50X3.50mm

煜倫股份有限公司

www.morethanall.com

DESCRIPTION: