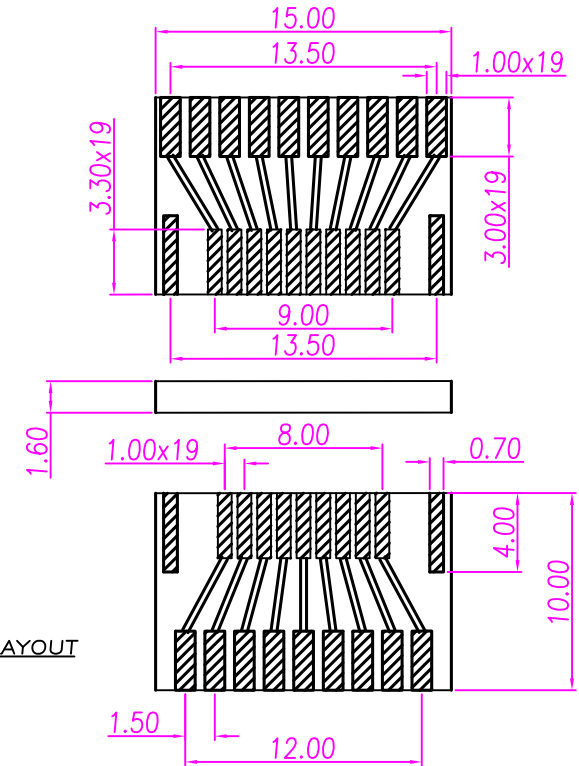


TABLE A

	GOLD FLASH	NICKEL 60u"
	CONTACT FINISH	SHELL FINISH



P.C.B. LAYOUT

- MATERIAL :
  - HOUSING : LCP UL94V-0 ; COLOR : BLACK
  - CONTACT : PHOSPHOR BRONZE
  - SHELL : BRASS
- FINISH :
  - CONTACT : SEE TABLE A  
SOLDER AREA : TIN 100u"
  - SHELL : SEE TABLE A

RoHS Compliant

TOLERANCES ARE

**MORETHANALL**  
PCB CONNECTORS  
Cable ASSEMBLIES

煜倫股份有限公司

www.morethanall.com

DRAWING BY CY

CHECKED BY GENIUS

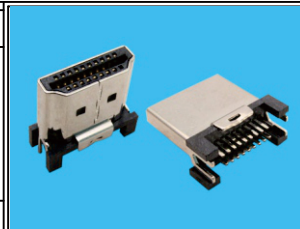
UNIT / mm SCALE 1 : 1

DATE

SIZE A4

X, ±  
.X ± 0.10  
.XX ± 0.05  
.XXX ± 0.03  
ANG ± 1°

P PROJECTION



ORDER INFORMATION

HDMI-PE-19-LF  
SERIES | LEADFREE  
19 WAY  
EDGE CLIP  
MALE

DESCRIPTION: HDMI 19(M) 成型夾板式