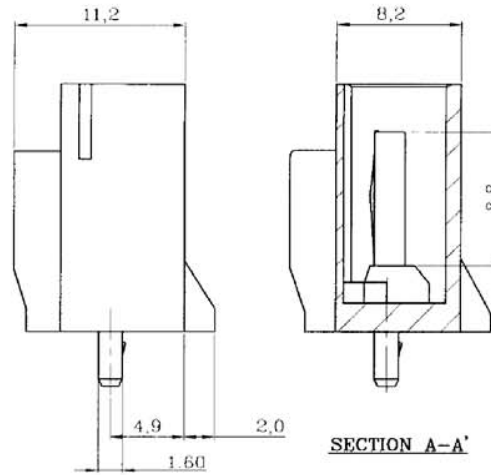
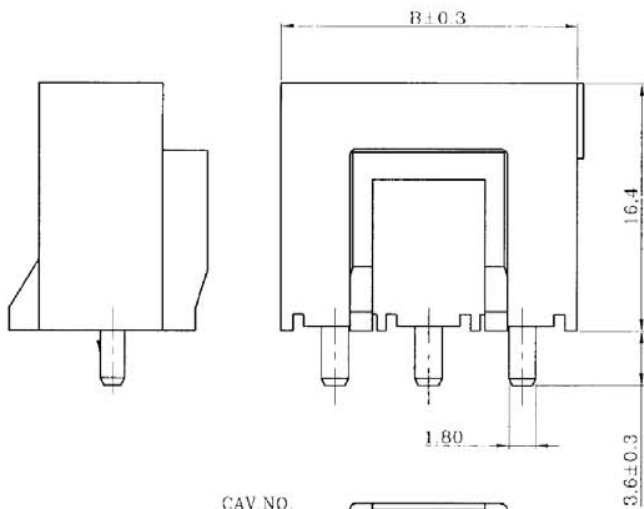


ISOMETRIC VIEW

DIMENSIONS:

CIRCUITS	DIM. A	DIM. B
2	6.20	13.4
3	12.4	19.6
4	18.6	25.8



SECTION A-A'

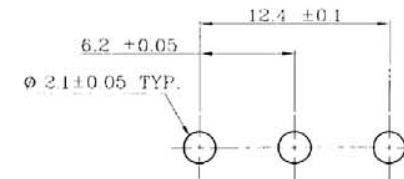
NOTES: ⚠

1. MATERIAL:

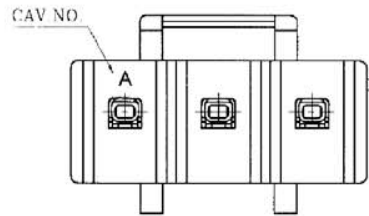
BASE: NYLON 66 94V-0

PIN CONTACT: BRASS

2. AVAILABLE CIRCUITS: 2PIN 3PIN 4PIN



P.C. BOARD LAYOUT



RoHS Compliant

TOLERANCES ARE

MORETHANALL
PCB CONNECTORS
Cable ASSEMBLIES

DRAWING BY CY

X, ±

CHECKED BY GENIUS

.X ±

UNIT / mm

SCALE 1 : 1

.XX ±

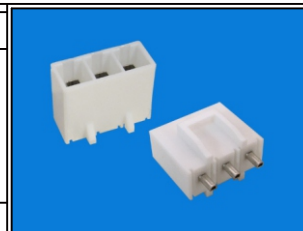
DATE

.XXX ±

ANG ±

SIZE A4

P PROJECTION



ORDER INFORMATION

VL-PD-1Xxx-LF
SERIES | LEADFREE
1X02:02WAY
1X04:04WAY
DIP 180°
MALE

煜倫股份有限公司

www.morethanall.com

DESCRIPTION: