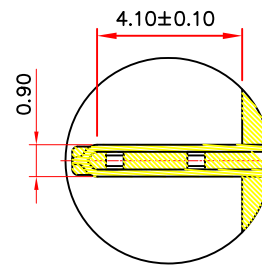
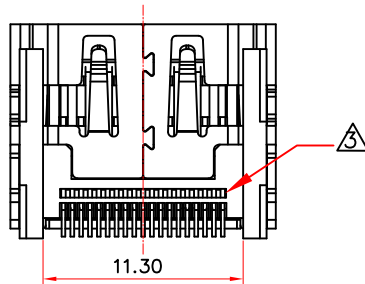
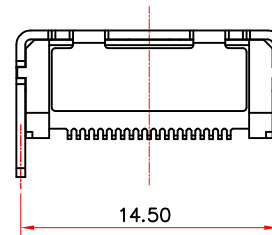
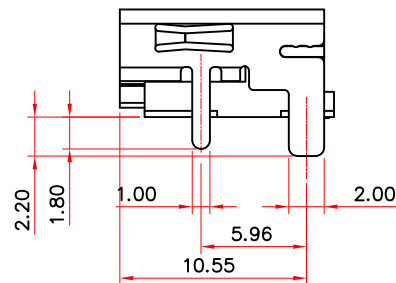
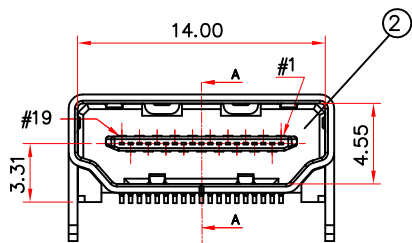
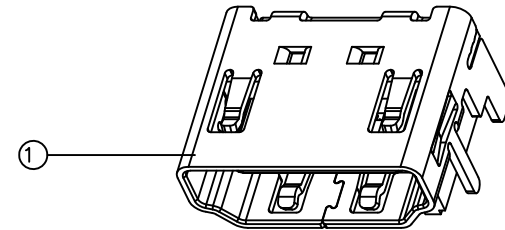


ITEM 項目	PARTS NAME 零件名稱	Q'TY 數量	MATERIAL 材質	FINISH/REMARK 處理/備註
1	SHELL	1	COPPER ALLOY	Ni: 50u"
2	HOUSING	1	SYNTHETIC RESIN	BLACK
3	CONTACT	19	COPPER ALLOY	Gold Flash; Tin: 100~120u"; Ni: 50u"



SECTION A-A
SCALE 2/1

SPECIFICATION

MATERIAL
See drawing
STANDARD DATA
Rating current: 0.5A
Operating temperature: -40°C ~ +85°C
Storage temperature: -20°C ~ +85°C
ELECTRICAL
Insulator resistance: 100 Mohms Min. @ 500 VDC
Withstanding voltage: 500 VAC/minute
Contact resistance: 60 mohms Max.
MECHANICAL
Insertion force: 44.1N(4.5Kgf) Max.
Withdrawal force: 9.8~39.2N(1.0~4.0Kgf).
Durability: 10000 cycles Min.
Contact retention force: 2.1N(0.21Kgf) Min.

RoHS Compliant

TOLERANCES ARE

MORETHANALL
PCB CONNECTORS
Cable ASSEMBLIES

DRAWING BY CY

X ± 0.50

CHECKED BY GENIUS

.X ± 0.30

UNIT / mm

SCALE 1:1

.XX ± 0.20

DATE

.XXX ±

ANG ± 5°

SIZE A4

P PROJECTION



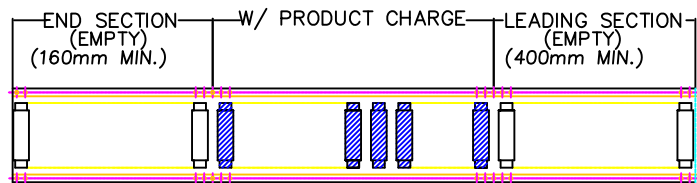
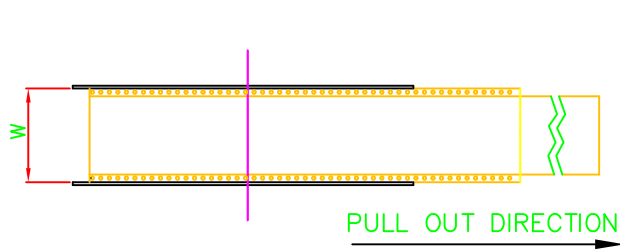
ORDER INFORMATION

HDMI-SWMR-19-LF
SERIES | REEL | METAL FOOT | LEADFREE
19WAY
90° SMT
FEMALE

煜倫股份有限公司

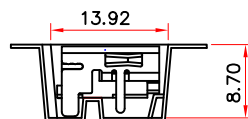
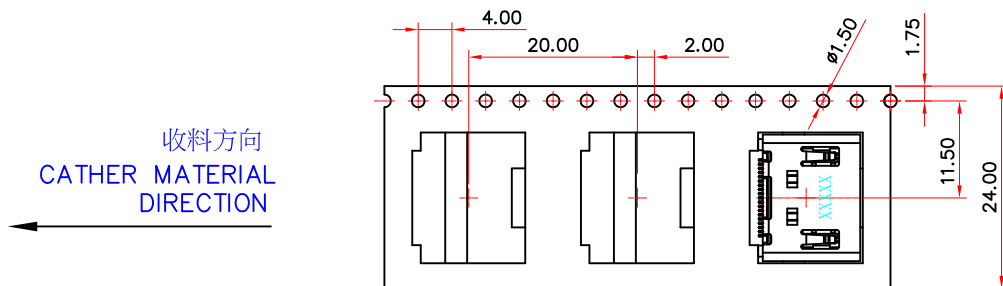
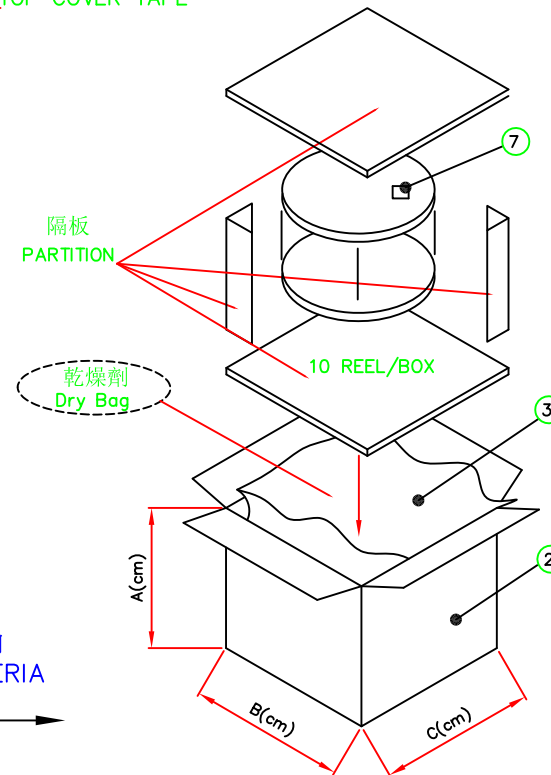
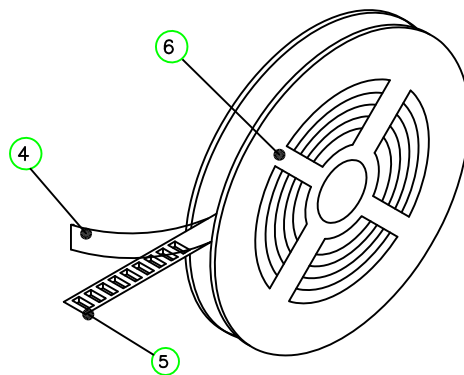
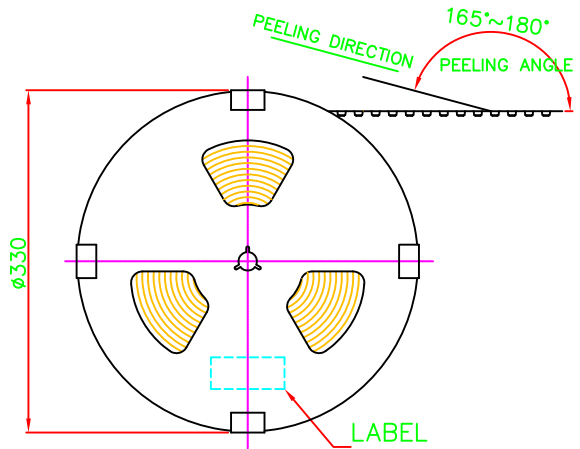
www.morethanall.com

DESCRIPTION: HDMI CONNECTOR



ITEM 項目	PARTS NAME 零件名稱	FINISH/REMARK 處理/備註
1	I/O CONNECTOR	3000 PCS/BOX
2	BOX	10 REEL/BOX
3	WATERPROOF BAG	1 PCS
4	REEL	300 PCS/REEL
5	COVER TAPE	Wide=32mm
6	CARRIER TAPE	--
7	LABEL	批號標籤

TOP COVER TAPE



NOTES

- 1.MATERIAL: PS (Color: 透明)
- 2.DEFORMATION(變形)&DAMAGE(損壞): NA.(不可)
- 3.All dimensions meet EIA-481-C requirements.

RoHS Compliant

TOLERANCES ARE

MORETHANALL
PCB CONNECTORS
Cable ASSEMBLIES

煜倫股份有限公司

www.morethanall.com

DRAWING BY CY

CHECKED BY GENIUS

UNIT / mm SCALE 1 : 1

DATE

SIZE A4

X, ±

.X ±

.XX ±

.XXX ±

ANG ±

PJECTION



ORDER INFORMATION

HDMI-SWMR-19-LF
SERIES | REEL | LEADFREE
19WAY
METAL FOOT
90° SMT
FEMALE

DESCRIPTION: HDMI CONNECTOR