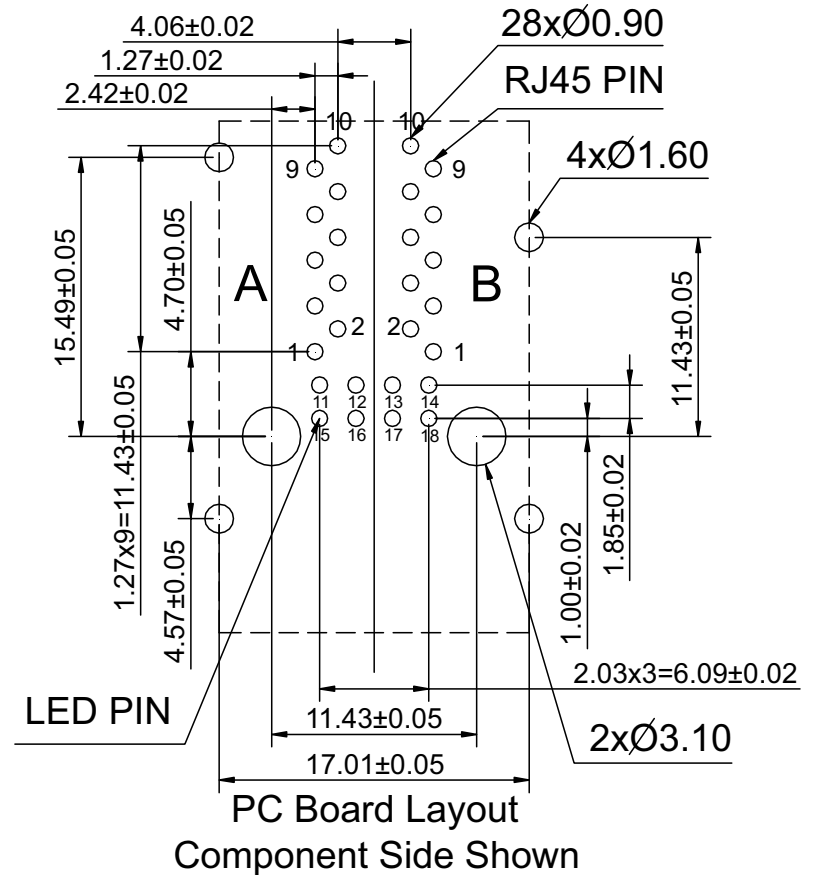
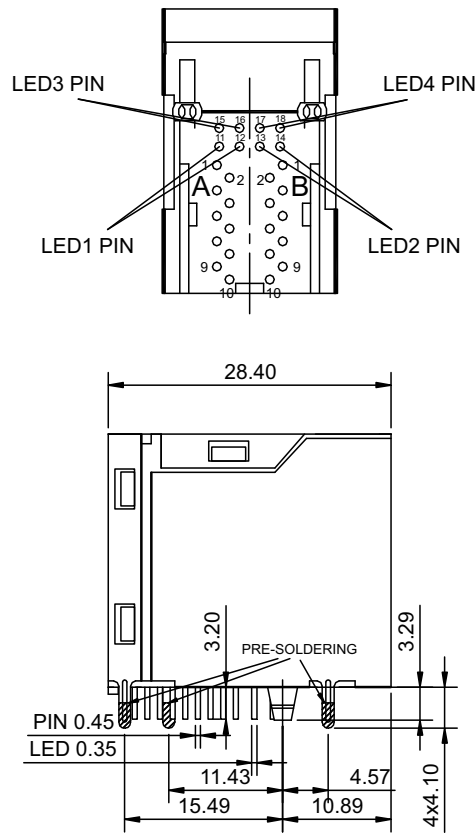
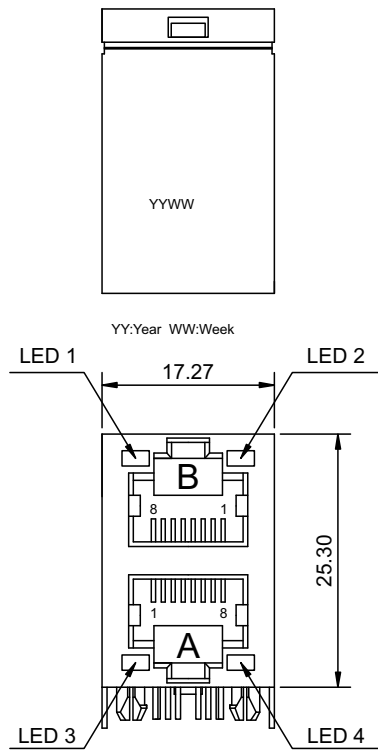


一、Mechanical Dimensions



RoHS Compliant

TOLERANCES ARE

MORETHANALL
PCB CONNECTORS
Cable ASSEMBLIES

DRAWING BY CY

X, ±

CHECKED BY GENIUS

.X ± 0.38

UNIT / mm

SCALE 1 : 1

.XX ± 0.25

DATE

.XXX ±

ANG ±

SIZE A4

P PROJECTION



ORDER INFORMATION

MJF25T910ULB1-KX06A4GYGY-0808

SERIES

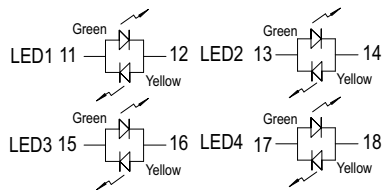
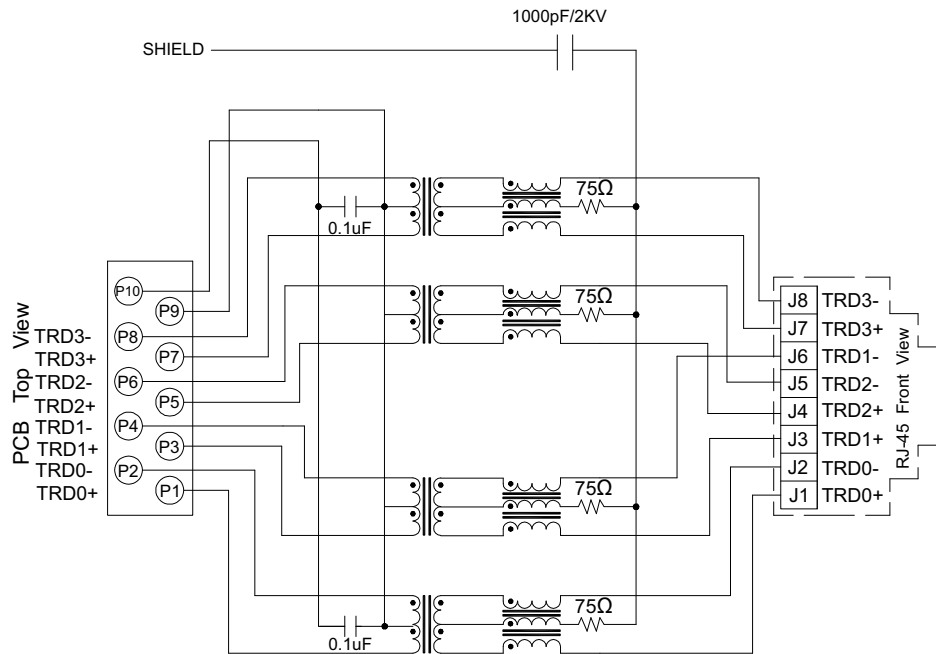
8P8C
LED 1.2 / LED 3.4
GREEN, YELLOW / GREEN, YELLOW
FRONT TAB 4.57mm
BLACK / GOLD 06u" / NON SPRING

煜倫股份有限公司

www.morethanall.com

DESCRIPTION: RJ45 1000 BASE-T 2X1 JACK WITH MAGNETIC MODULE

二、Schematics



Standard LED	Wavelength	Forward* V(MAX)	TYP
Green	565nm	2.5v	2.2v
Yellow	585nm	2.5v	2.1v

With a forward current of 20mA

三、ELECTRICAL SPECIFICATIONS@25°C:

1. Turn Ratio($\pm 3\%$): 1CT:1CT
2. OCL(100KHz/0.1V@8mA):350uH MIN.
3. Insertion Loss(dB MAX):-1.1dB(0.3-1MHz), -0.8dB(1-65MHz),
-1.0dB(65-100MHz), -1.2dB(100-125MHz)
4. Return Loss(dB MIN): -18dB(1-40MHz), $-12+20\log(f/80)$ dB(40-100MHz)
5. Cross talk(dB MIN):-35dB(1-40MHz), $-33+20\log(f/50)$ dB(40-100MHz)
6. CMR(dB MIN):-30dB(1-100MHz)
7. CDMR(dB MIN):-30dB(1-100MHz)
8. HI-POT(Pri to Sec): 1500Vrms or 2250VDC
9. Operating Temperature:-40°C TO +85°C
10. RoHS compliance: YES

RoHS Compliant

TOLERANCES ARE

MORETHANALL
PCB CONNECTORS
Cable ASSEMBLIES

DRAWING BY CY

CHECKED BY GENIUS

UNIT / mm

SCALE 1 : 1

DATE

SIZE A4

PPOJECTION

X, \pm
.X \pm 0.38
.XX \pm 0.25
.XXX \pm
ANG \pm



ORDER INFORMATION

MJF25T910ULB1-KX06A4GYGY-0808

SERIES

8P8C
LED 1.2 / LED 3.4
GREEN, YELLOW / GREEN, YELLOW
FRONT TAB 4.57mm
BLACK | GOLD 06u" | NON SPRING

煜倫股份有限公司

www.morethanall.com

DESCRIPTION: RJ45 1000 BASE-T 2X1 JACK WITH MAGNETIC MODULE

四、Mechanicals

Housing Material:

MATERIAL: NYLON 66 UL94V-0 STANDARD COLOR: BLACK

Insert Material:

MATERIAL: CONT---0.35mm THICKNESS

PHOS---BRONZE.C5210

INSERT---PBT GF UL94V-0

1.PLATING: NICKEL

2.PLATING: 100%Sn

3.PLATING: GOLD (6u " ~ 50u ")

Contact pin Material:

1.NYLON GF UL94V-0

2.0.30mm THICKNESS PHOS-BRONZE C5191

3.PLATING 100%SN

Shielding Material:

1.BRASS C2680H PLATING NICKEL

2.PLATING NICKEL

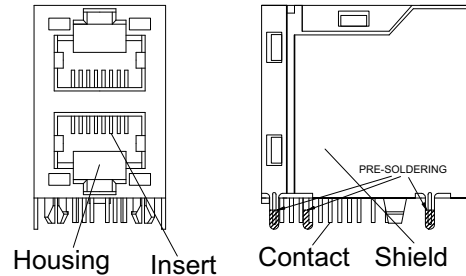
Operating Life: 750 Cycles MIN.

五、Environmental

1.Storage Temp: -40°C TO +85°C.

2.Operating Temp: -40°C TO +85°C.

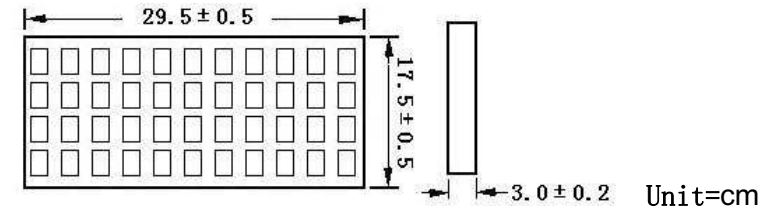
3. MATES WITH MODULAR PLUG CONFORMING TO FCC PART 68, SUBPART F.



六、Packaging

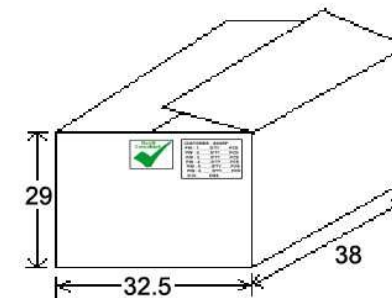
1. packaging unit : 44 PCS/tray

2. packaging material : PET



3. outer carton unit: 704 pcs/ 16 Trays/box

4. Weight: 13.0kg per carton



 煜倫股份有限公司 www.morethanall.com		RoHS Compliant		TOLERANCES ARE			ORDER INFORMATION			
		DRAWING BY CY	CHECKED BY GENIUS	UNIT / mm	SCALE 1 : 1		DATE	SIZE A4	PPROJECTION	MJF25T910ULB1-KX06A4GYGY-0808
		X, ±					BLACK GOLD 06u" NON SPRING			
		.X ± 0.38					FRONT TAB 4.57mm			
		.XX ± 0.25					DESCRIPTION: RJ45 1000 BASE-T 2X1 JACK WITH MAGNETIC MODULE			
		.XXX ±								
		ANG ±								