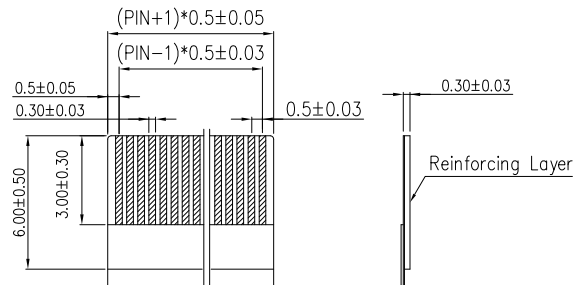
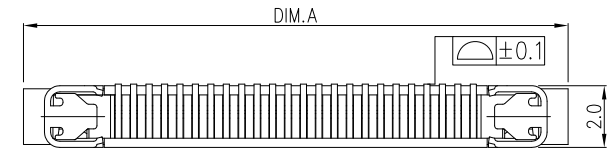
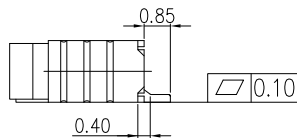
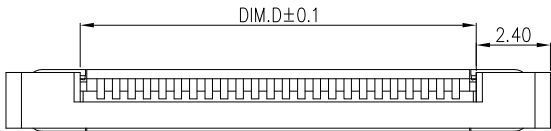
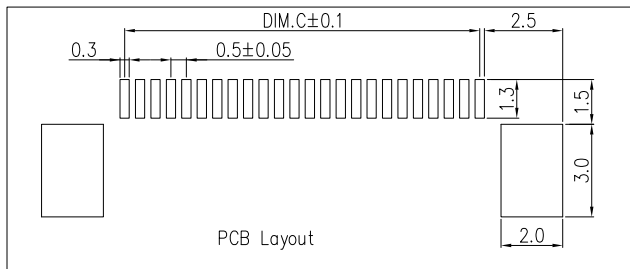


SECTION A-A



RECOMMENDED FFC/FPC DIM



PCB Layout

SPEC :

- Housing: High-Temp Plastic, UL94V-0
Color: Nature (Ivory) (LCP)
- Locker: High-Temp Plastic, UL94V-0
Color: Black (LCP)
- Contact: Phosphor Bronze (C5191)
Initial: 30m Ohms Max.
Voltage Rating: 50V AC, DC
- Solder Tab: BRASS (C2680)
- Temperature Rating : -25°C ~ +85°C
- Dielectric Withstanding Voltage : 500V AC/Min
- Plating : Tin

PIN	DIM A	DIM B	DIM C	DIM D	DIM E	PIN	DIM A	DIM B	DIM C	DIM D	DIM E
4	7.60	6.50	1.50	2.60		35	23.10	22.00	17.00	18.10	
5	8.10	7.00	2.00	3.10		36	23.60	22.50	17.50	18.60	
6	8.60	7.50	2.50	3.60		37	24.10	23.00	18.00	19.10	
7	9.10	8.00	3.00	4.10		38	24.60	23.50	18.50	19.60	
8	9.60	8.50	3.50	4.60		39	25.10	24.00	19.00	20.10	
9	10.10	9.00	4.00	5.10		40	25.60	24.50	19.50	20.60	
10	10.60	9.50	4.50	5.60		41	26.10	25.00	20.00	21.10	
11	11.10	10.00	5.00	6.10		42	26.60	25.50	20.50	21.60	
12	11.60	10.50	5.50	6.60		43	27.10	26.00	21.00	22.10	
13	12.10	11.00	6.00	7.10		44	27.60	26.50	21.50	22.60	
14	12.60	11.50	6.50	7.60		45	28.10	27.00	22.00	23.10	
15	13.10	12.00	7.00	8.10		46	28.60	27.50	22.50	23.60	
16	13.60	12.50	7.50	8.60		47	29.10	28.00	23.00	24.10	
17	14.10	13.00	8.00	9.10		48	29.60	28.50	23.50	24.60	
18	14.60	13.50	8.50	9.60		49	30.10	29.00	24.00	25.10	
19	15.10	14.00	9.00	10.10	5.2	50	30.60	29.50	24.50	25.60	5.75
20	15.60	14.50	9.50	10.60		51	31.10	30.00	25.00	26.10	
21	16.10	15.00	10.00	11.10		52	31.60	30.50	25.50	26.60	
22	16.60	15.50	10.50	11.60		53	32.10	31.00	26.00	27.10	
23	17.10	16.00	11.00	12.10		54	32.60	31.50	26.50	27.60	
24	17.60	16.50	11.50	12.60		55	33.10	32.00	27.00	28.10	
25	18.10	17.00	12.00	13.10		56	33.60	32.50	27.50	28.60	
26	18.60	17.50	12.50	13.60		57	34.10	33.00	28.00	29.10	
27	19.10	18.00	13.00	14.10		58	34.60	33.50	28.50	29.60	
28	19.60	18.50	13.50	14.60		59	35.10	34.00	29.00	30.10	
29	20.10	19.00	14.00	15.10		60	35.60	34.50	29.50	30.60	
30	20.60	19.50	14.50	15.60							
31	21.10	20.00	15.00	16.10							
32	21.60	20.50	15.50	16.60							
33	22.10	21.00	16.00	17.10							
34	22.60	21.50	16.50	17.60							

RoHS Compliant

TOLERANCES ARE

MORETHANALL
PCB CONNECTORS
Cable ASSEMBLIES

DRAWING BY CY

CHECKED BY GENIUS

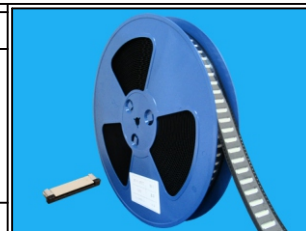
UNIT / mm SCALE 1 : 1

DATE

SIZE A4

X, ±
.X ± 0.30
.XX ± 0.20
.XXX ± 0.10
ANG ±

P PROJECTION



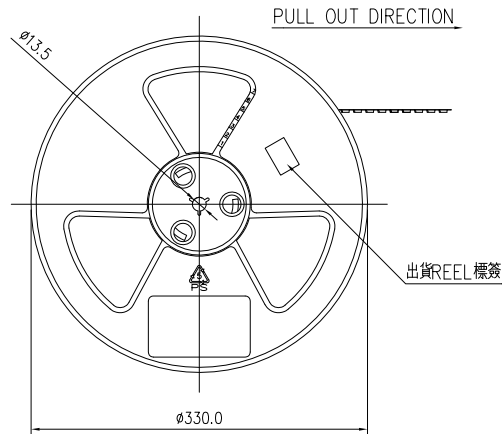
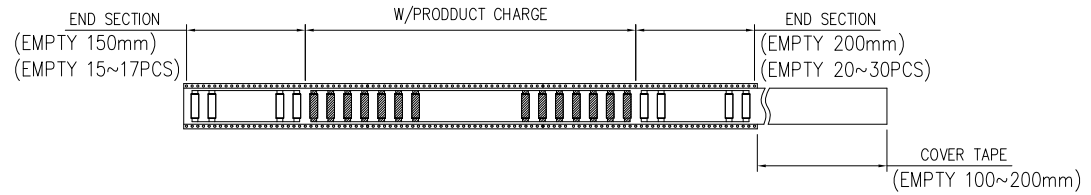
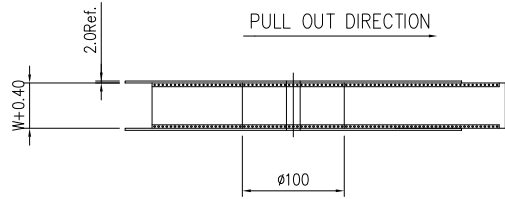
ORDER INFORMATION

FPV-WZA201R-xx-LF
SERIES | | | LEADFREE
04~60WAY
REEL
HIGH 2.0mm
90°SMT | | | UPPER/CONTACT
ZIF

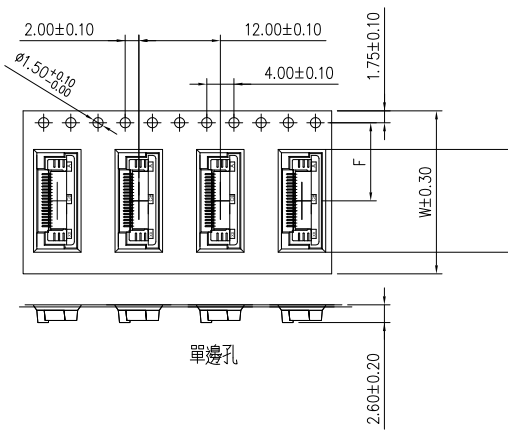
DESCRIPTION: 0.5PH 2.0H 抽屜臥貼上接

煜倫股份有限公司

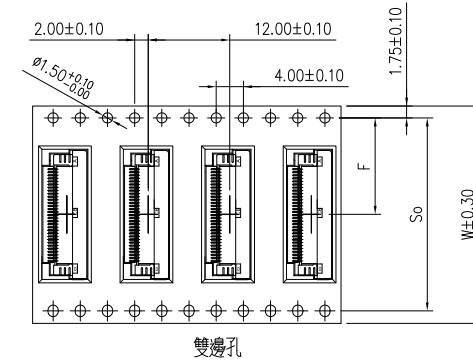
www.morethanall.com



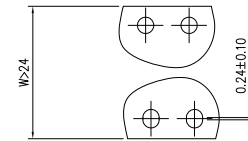
SCALE 3:20



單邊孔



雙邊孔

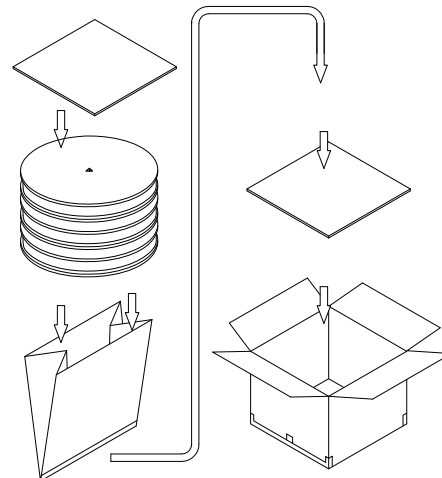


1.包装方式:

- 1.1. 载带头空约15pcs空槽 · 尾空约25pcs穴槽。
 - 1.2. 每REEL共包装产品2000PCS。
 - 1.3. CARTON SPEC : 350*350*350(OUT DIM) · PAPPER THICKNESS=5mm
 - 1.4. UPPER AND DOWN
- EPS : 350mm*350mm · THICKNESS=8mm

注意:

1. 防止漏装。
2. 产品在CARRY TAPE中的方向须与图一致;
3. COVER TYPE 剥离力:30.0--130gf,速度:300mm/min.;
4. 包装标识/标签满足客户和厂内管制要求;



PIN NO.	W	F	SO	PCS/Reel	Reel/Carton	Sum(PCS)
04PIN~07PIN	16	7.50	单边孔	2,000	15	20,000
08PIN~22PIN	24	11.5	单边孔	2,000	10	20,000
23PIN~32PIN	32	14.2	28.4	2,000	8	16,000
33PIN~54PIN	44	20.2	40.4	2,000	6	12,000
55PIN~61PIN	56	26.2	52.4	2,000	5	10,000

RoHS Compliant

TOLERANCES ARE



煜倫股份有限公司

www.morethanall.com

DRAWING BY CY

CHECKED BY GENIUS

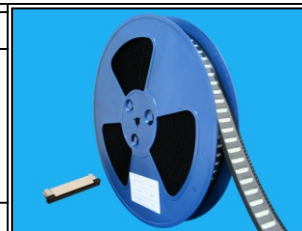
UNIT / mm SCALE 1:1

DATE

SIZE A4

X, ±
.X ± 0.30
.XX ± 0.20
.XXX ± 0.10
ANG ±

PPOJECTION



ORDER INFORMATION

FPV-WZA201R-xx-LF
SERIES | | | LEADFREE
04~60WAY
REEL
HIGH 2.0mm
90°SMT | UPPER/CONTACT
ZIF

DESCRIPTION: 0.5PH 2.0H 抽屜臥貼上下接包裝圖