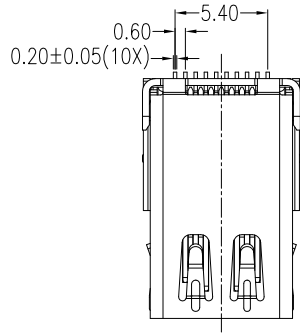


Unit:mm

Part NO.	Dim A	P.C.B Thickness
MDSP-SRW55PM31R-20	3.10	2.50



Top Row			Bottom Row		
Pin NO.	Signal Type	Pin Name	Pin NO.	Signal Type	Pin Name
1	GND	GND	2	In	HotPlug_Detect
3	Out	ML_Lane 0(p)	4	CONFIG	CONFIG1
5	Out	ML_Lane 0(n)	6	CONFIG	CONFIG2
7	GND	GND	8	GND	GND
9	Out	ML_Lane 1(p)	10	Out	ML_Lane 3(p)
11	Out	ML_Lane 1(n)	12	Out	ML_Lane 3(n)
13	GND	GND	14	GND	GND
15	Out	ML_Lane 2(p)	16	I/O	AUX_CH(p)
17	Out	ML_Lane 2(n)	18	I/O	AUX_CH(n)
19	GND	GND	20	PWR Out	DP_PWR

**NOTES:**

**\*Material**

Body: LCP UL94V-0.  
 Insert(Molding): LCP UL94V-0.  
 Retainer: LCP UL94V-0.  
 Contact: Copper Alloy;  
 Plating: Au plating on contact area;  
 Sn(100u" Min.) plating on solder tail;  
 Ni(50u" Min.) underplating overall.  
 Shell: Brass;  
 Plating: Ni(50u" Min.) Plating .

**\*Mechanical**

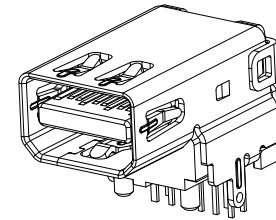
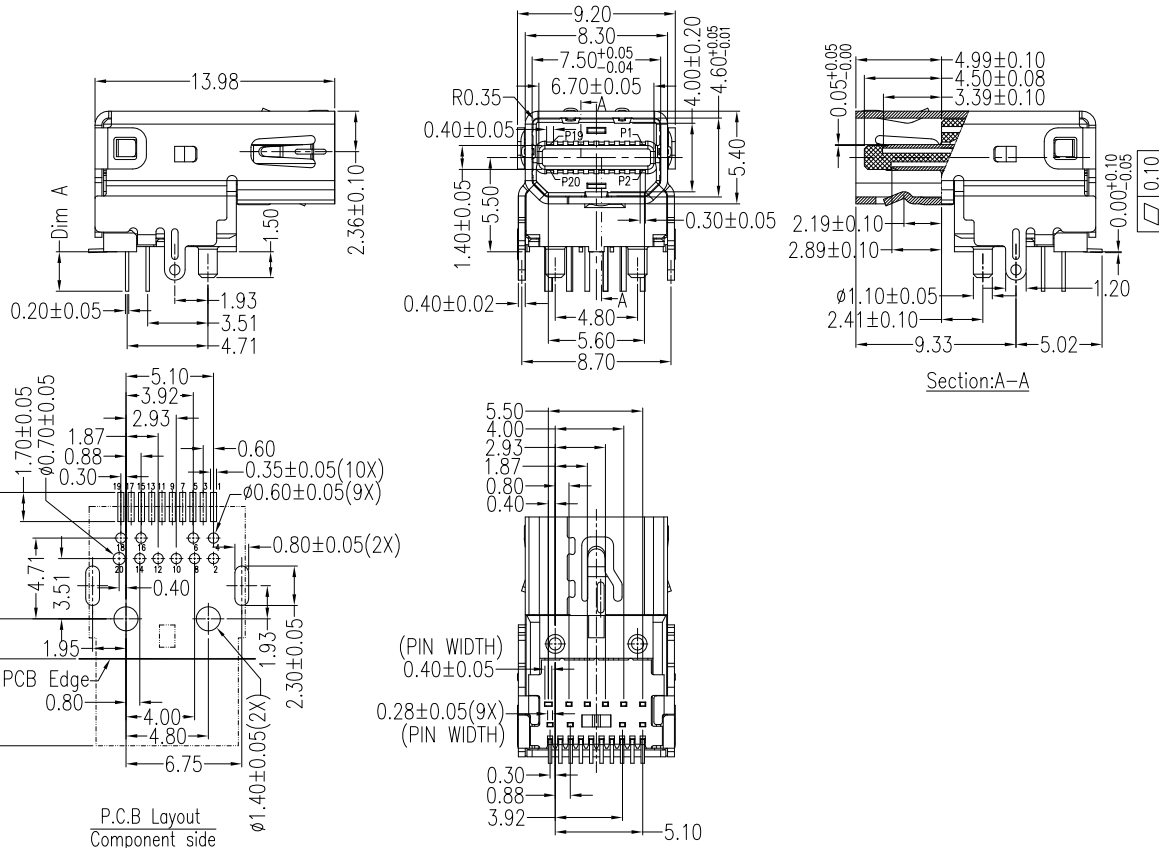
Insertion Force: 4.5Kg Max  
 Withdrawal Force: 1.0~4.0Kg Min  
 Durability: 10000 Cycles

**\*Electrical Specification**

Current Rating: 0.5 Ampere per contact  
 Contact Resistance: 30 mΩ max.  
 Insulation Resistance: 100MΩ Min  
 Dielectric Withstanding Voltage: 500V AC Min

**\*Environmental**

Operating Temperature: -40°c to +85°c.



**RoHS Compliant**

TOLERANCES ARE



DRAWING BY CY

CHECKED BY GENIUS

UNIT / mm

SCALE 1 : 1

DATE

SIZE A4

PJECTION

X. ±  
 .X ± 0.35  
 .XX ± 0.25  
 .XXX ± 0.15  
 ANG ± 3°



**ORDER INFORMATION**

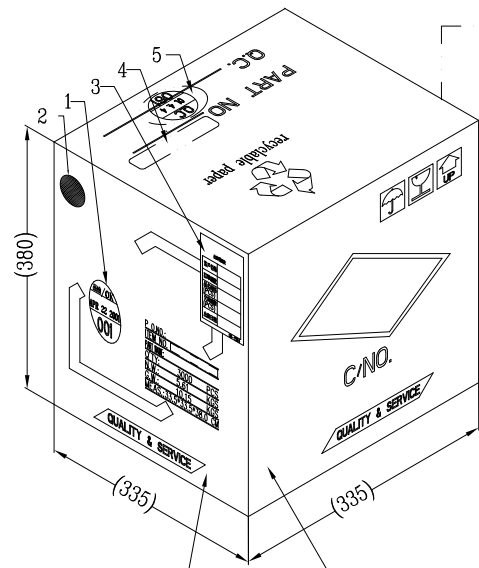
MDSP-SRW55PM31R-20-LF

SERIES | | | | | LEADFREE  
 FEMALE | | | | | 20 WAY  
 DIP 90° | | | | | REEL  
 90°SMT | | | | | PIN LONG 3.1mm  
 HIGH 5.5mm | | | | | METAL FOOT  
 | | | | | POST

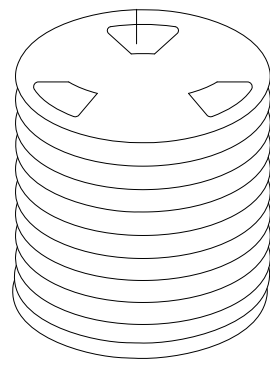
DESCRIPTION: Mini Displayport Receptacle DIP+SMT (APPLE 5.5) No Mark

**煜倫股份有限公司**

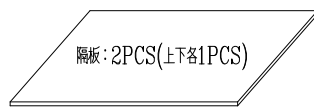
www.morethanall.com



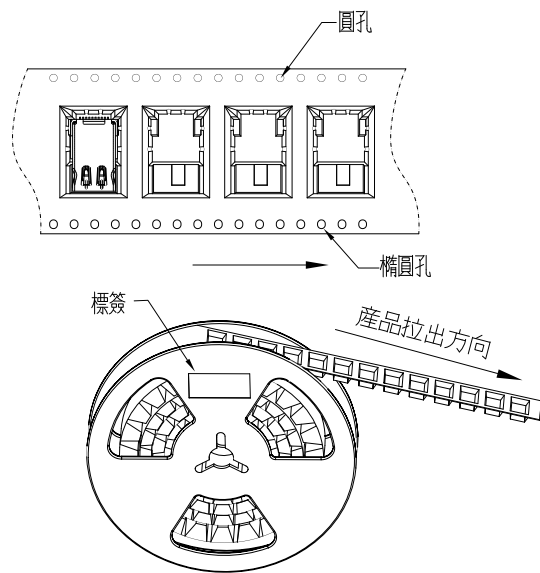
另側相同印刷<無1.2.3> 另側相同印刷



10 REELS



隔板: 2PCS(上下各1PCS)



出貨明細表	
客戶名稱	
訂單編號	
品名規格	
交貨總數 (PCS)	
單箱數量 (PCS)	
出貨日期	

QR-1504

類型	材質	規格(Unit:mm)	數量
外箱	A=A	335*335*380	1PCS
隔板	A1A	332*332*3	2PCS
旋轉膠盤	PC	φ330*φ100	10PCS
承載膠帶	PS(透明)	32(W)*5376(L)*0.50(T)	10PCS
封裝膠帶	PET	25.5(W)*5376(L)*0.05(T)	54.05M/箱
PE袋	PE	600(開口)*1000*0.05	1PCS

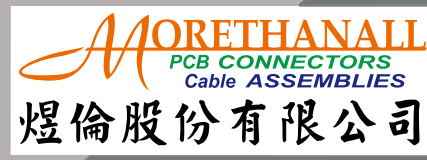
- \*加蓋印記位置
1. 品管注介章(檢驗合格章)
  2. 月份標記
  3. 出貨明細表
  4. 該產品料號.
  5. 生產製造日期, 檢驗員代號.
  6. 紙箱尺寸為內空間尺寸.

- 注: 1. 成品組裝完成並QC完之後, 將其裝入承載帶內, 同時用封裝膠帶熱封。  
 2. 檢查REEL包裝卷帶是否有鬆動, 如有鬆動, 需重新貼緊。  
 3. 全檢OK後, 將Reel盤裝入PE袋, FQC復檢。  
 4. 若包裝易吸濕產品在PE袋內加放1包干燥劑, 外箱貼易吸濕標籤。  
 5. 每一REEL卷盤上都要貼上料號及蓋印本廠D/C和數量, 若有特殊要求請貼上客戶料號等。  
 標籤貼在橢圓孔的一邊, 每一REEL卷盤上都要在標籤上蓋印D/C, 特別注明:  
 ①. 產品上有噴D/C, 則不需蓋印本廠D/C. ②. 客戶標籤上含蓋有D/C的, 不需蓋印本廠D/C.  
 6. 產品裝好REEL出貨時, 拉出端和卷入端各空18PCS不放產品。  
 7. 該包裝所用外箱, 隔板, PE袋均與BZ472-1規格相同, 僅外箱印字不同。

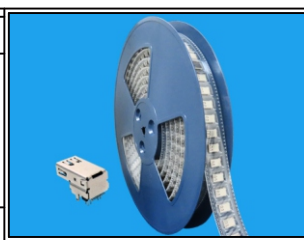
\*PACKING  
 300 PCS/REEL  
 10 REELS/CARTON(共計3000pcs)  
 \*PACKING DETAILS  
 P/O.NO.:  
 ITEM NO.:  
 PART NAME:  
 Q'TY: 3000 PCS  
 N.W.: 5.61 KGS  
 G.W.: 10.15 KGS  
 MEAS.: 33.5\*33.5\*38.0 CM

RoHS Compliant

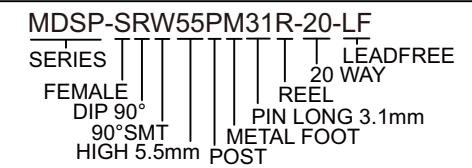
TOLERANCES ARE



DRAWING BY CY		X, ±
CHECKED BY GENIUS		.X ± 1.50
UNIT / mm	SCALE 1 : 1	.XX ± 0.50
DATE		.XXX ±
SIZE A4	PPOJECTION	ANG ±



ORDER INFORMATION



DESCRIPTION: Mini DP REC DIP+SMT (Apple 5.5) Reel 包裝規範

www.morethanall.com