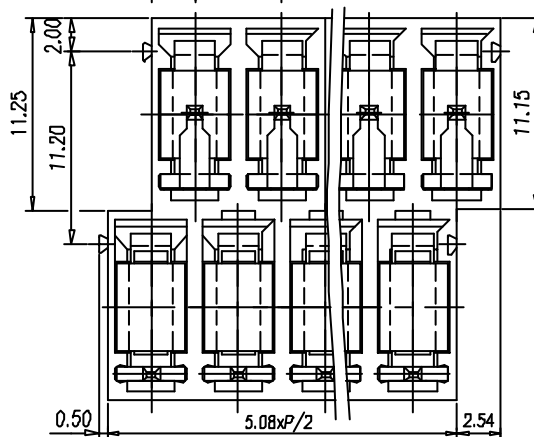


**P.C.B. LAYOUT(REF)**

**NOTES:**

- ③ 1. Rating: 300V 25A (IEC 250V 32A)  
PITCH: 5.08mm
- 2. Insulation Withstands Voltage:  
AC 1500 V/MIN
- 3. Insulation Resistance:  
500M $\Omega$  or more at DC500V
- 4. Using Temperature Range:  
-40°C~+105°C
- 5. Screw Torque Value: 4kgf-cm
- 6. Suitable Electric Wire: AWG 24~12  
(IEC 4mm<sup>2</sup>)



ITEM	NAME OF PART	NO. OF PART	Q'TY	MATERIAL	NOTES
5	SOLDER PIN 2		P/2	COPPER	Sn Plated
4	SOLDER PIN 1		P/2	COPPER	Sn Plated
3	WIRE CAGE		P	STEEL	W2.5/Zn Plated
2	SCREW		P	STEEL	W2.5/Zn Plated
1	HOUSING			PA66(V2)	GREEN

**RoHS Compliant**

TOLERANCES ARE

**MORETHANALL**  
PCB CONNECTORS  
Cable ASSEMBLIES

DRAWING BY CY

X,  $\pm$

CHECKED BY GENIUS

X,  $\pm$  0.20

UNIT / mm

SCALE 1 : 1

.XX,  $\pm$  0.10

DATE

.XXX,  $\pm$

ANG,  $\pm$

SIZE A4

PPOJECTION



**ORDER INFORMATION**

**TBH051B1-D18R-xx-LF**

SERIES

DIP 180°

LEADFREE

02 PER ROW:04 PIN

24 PER ROW:48 PIN

R TYPE FOOT

HIGH 18.0mm

**煜倫股份有限公司**

[www.morethanall.com](http://www.morethanall.com)

DESCRIPTION: