

PCB LAYOUT (RECOMMENDED)

(Tol:±0.03)

ITEM 項目	PARTS NAME 零件名稱	Q'TY 數量	MATERIAL 材質	FINISH/REMARK 處理/備註
1	HOUSING	1	SYNTHETIC RESIN	(Black)
2	SHELL	1	HIGH CARBON STEEL	Ni:50u"
3	CONTACT	19	COPPER ALLOY	Au:1u",Tin:100u",Ni:50u"
4	BACK-COVER	1	SYNTHETIC RESIN	(Black)

NOTES

- 1.MATERIAL: See drawing
- 2.ELECTRICAL
  - 2.1.Insulator resistance: 100M ohms Min. @ 500 VDC
  - 2.2.Withstanding voltage: 500 VAC / minute
  - 2.3.Contact resistance: 60m ohms Max.
- 3.MECHANICAL
  - 3.1.Mating force: 44.1N(4.5kgf) Max.
  - 3.2.Unmating force: 9.8(1.0kgf) Min.
  - 3.3.Durability: 10000 cycles Min.
  - 3.4.Contact retention force: 4.2N(0.43kgf) Min
- 4.PACKING: 200pcs/tray (reference)

RoHS Compliant

TOLERANCES ARE

**MORETHANALL**  
PCB CONNECTORS  
Cable ASSEMBLIES

煜倫股份有限公司

www.morethanall.com

DRAWING BY CY

CHECKED BY GENIUS

UNIT / mm

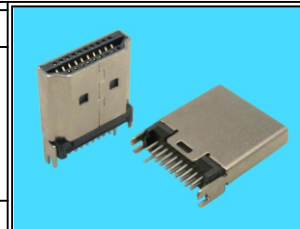
SCALE 1 : 1

DATE

SIZE A4

PJECTION

X. ± 0.50  
.X ± 0.30  
.XX ± 0.20  
.XXX ±  
ANG ± 5°



ORDER INFORMATION

HDMI-PE10-19-LF  
SERIES | LEADFREE  
| 19WAY  
| EDGE CLIP 1.0t  
MALE

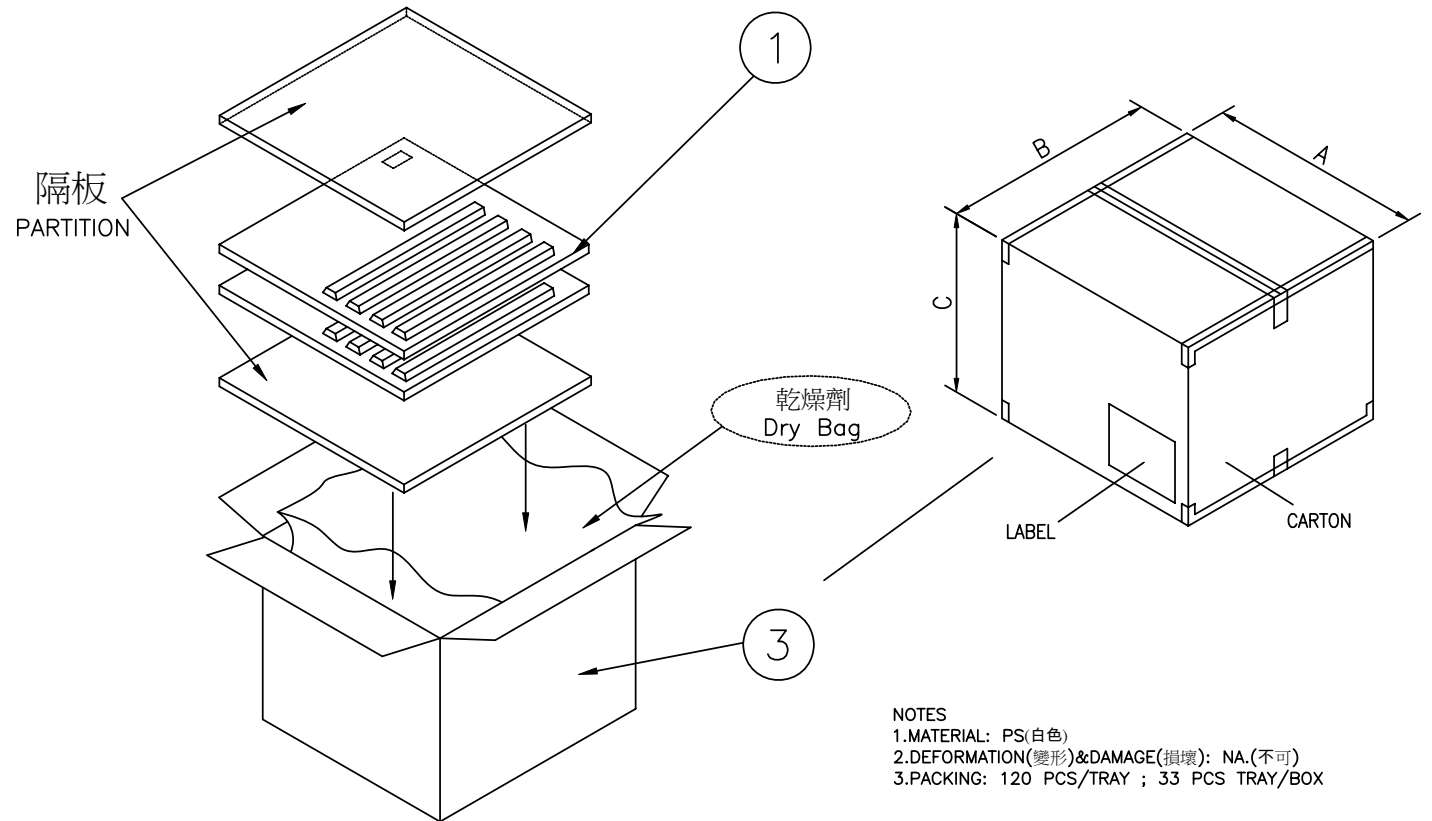
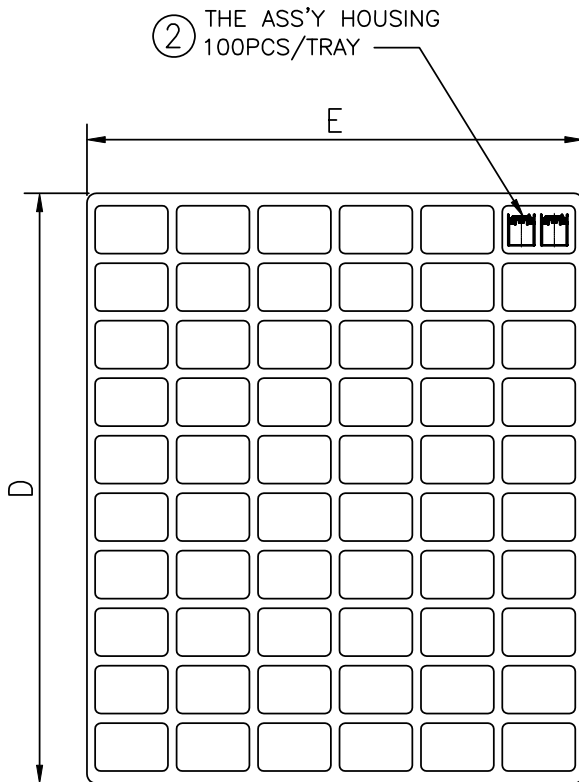
DESCRIPTION: ASS'Y HOUSING

ITEM 項目	PARTS NAME 零件名稱	FINISH/REMARK 處理/備註
1	INTEGRITY TRAY	120 PCS/TRAY
2	I/O CONNECTOR	4000PCS/BOX(Reference)
3	BOX	33 PCS TRAY/BOX(Reference)

CARTON & TRAY DIMENSION (mm)

A	B	C	D	E
355	355	355	300	255

33 PCS TRAY/BOX



- NOTES  
 1.MATERIAL: PS(白色)  
 2.DEFORMATION(變形)&DAMAGE(損壞): NA.(不可)  
 3.PACKING: 120 PCS/TRAY ; 33 PCS TRAY/BOX

RoHS Compliant

TOLERANCES ARE

**MORETHANALL**  
 PCB CONNECTORS  
 Cable ASSEMBLIES

煜倫股份有限公司

www.morethanall.com

DRAWING BY CY

CHECKED BY GENIUS

UNIT / mm

SCALE 1 : 1

DATE

SIZE A4

X. ± 0.40

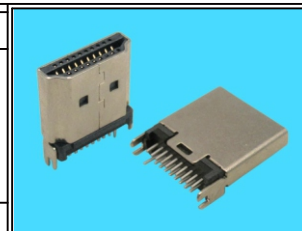
.X ± 0.25

.XX ± 0.10

.XXX ±

ANG ± 2°

PJECTION



ORDER INFORMATION

HDMI-PE10-19-LF

SERIES

MALE

LEADFREE

19WAY

EDGE CLIP 1.0t

DESCRIPTION: TRAY FOR HOUSING CONNECTOR