

• MATERIALS:(RoHS Compliant)

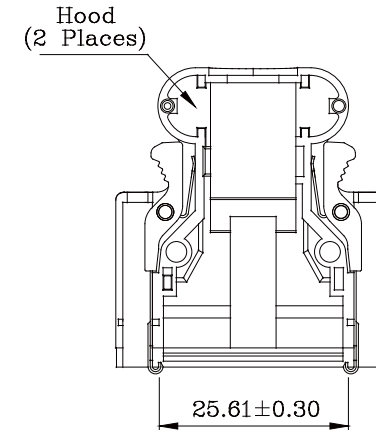
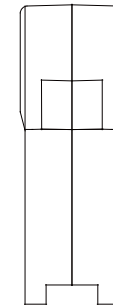
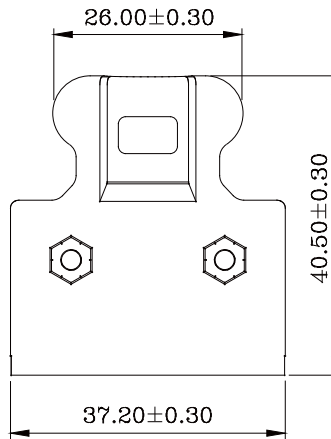
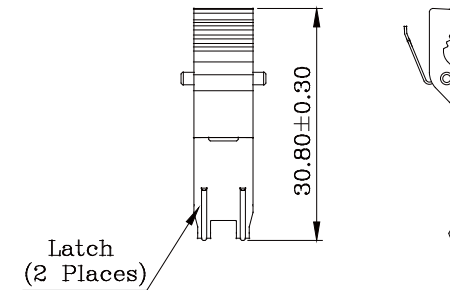
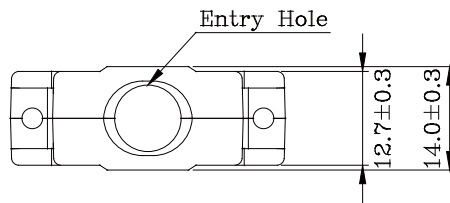
Hood: Plastic Thermoplastic PBT UL 94V-0
 Latch & Hood: Plastic Thermoplastic PBT UL 94V-0
 Latch: Stainless Steel
 Jackscrews: Steel Nickel Plated Over Copper
 Hex Nuts: Steel Nickel Plated Over Copper
 Cable Clipper: Steel Nickel Plated Over Copper
 Screws: Steel Nickel Plated Over Copper

• MATERIALS:(RoHS Compliant)

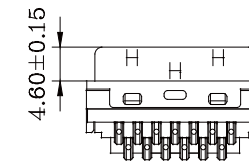
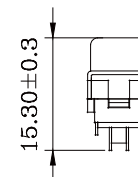
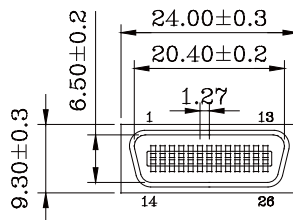
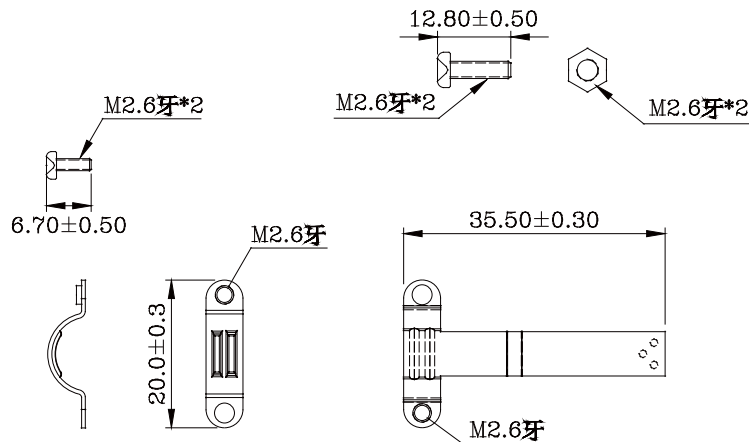
Housing: Plastic Thermoplastic
 P.B.T UL94V-0 Black
 Contacts: Phosphor Bronze Gold
 Selective Plated
 Front Shell: Steel Nickel Plated Over Copper

• ELECTRICAL CHARACTERISTICS:

Contact Current Rating: 1 Amp
 Dielectric Withstanding Voltage: 500V AC
 Insulation Resistance: >500MΩ/Min
 Contact Resistance: 35mΩ/Max
 Operation Temperature: -55°C ~ +105°C



Latch



RoHS Compliant

TOLERANCES ARE

MORETHANALL
 PCB CONNECTORS
 Cable ASSEMBLIES

DRAWING BY CY

CHECKED BY GENIUS

UNIT / mm

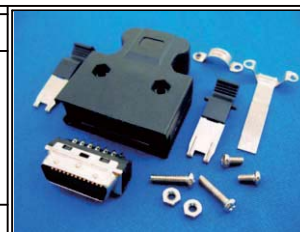
SCALE 1 : 1

DATE

SIZE A4

PJECTION

X. ±
 .X ±
 .XX ±
 .XXX ±
 ANG ±



ORDER INFORMATION

HPC-PSHL-026-LF
 SERIES | | | | LEADFREE
 | | | | 26 WAY
 | | | | LATCH
 | | | | HOOD
 | | | | SOLDER
 | | | | MALE

DESCRIPTION: 1.27mm(.050") Ribbon 26Pos
 Cable Plug Connector Solder Assembly Type

煜倫股份有限公司

www.morethanall.com