

NOTE:

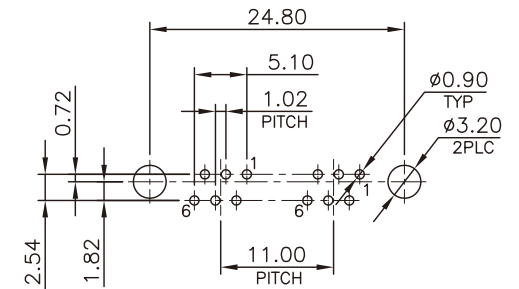
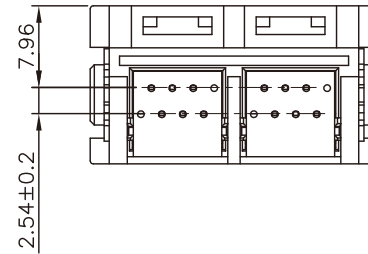
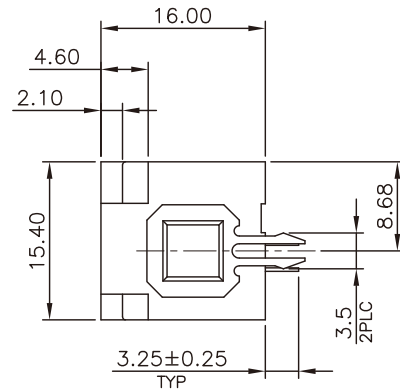
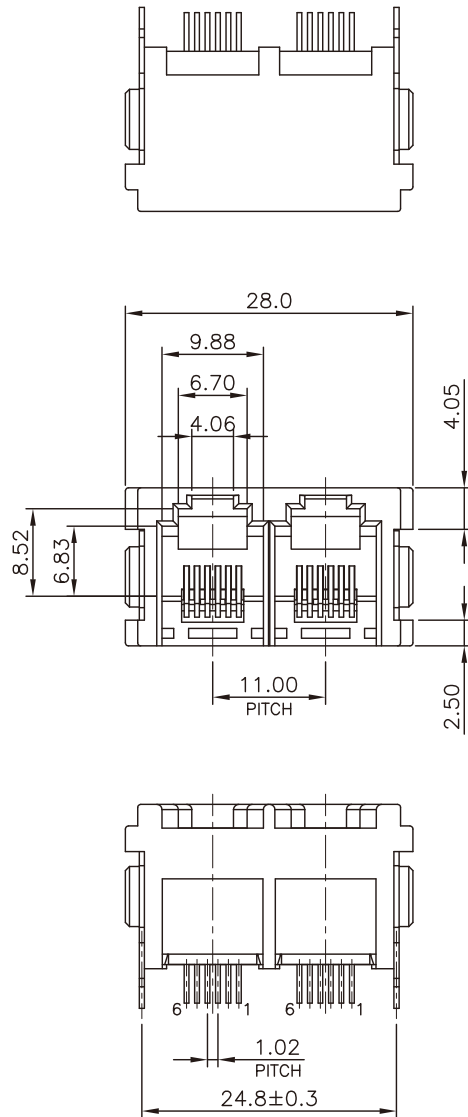
CAVITY CONFIRMS TO FCC RULES AND REGULATIONS PART 68, SUBPART F.

1. MATERIAL:

- 1.1 HOUSING: PBT, WITH GLASS FIBER, UL94V-0, STANDARD COLOR-GRAY.
- 1.2 INSERT HOUSING: PBT, WITH GLASS FIBER, UL94V-0, STANDARD COLOR-GRAY .
- 1.3 INSERT COVER: PBT, WITH GLASS FIBER, UL94V-0, STANDARD COLOR-BLACK.
- 1.4 CONTACTS: PHOSPHOR BRONZE.
- 1.5 METAL PEG: BRASS.

2. FINISH:

- 2.1 CONTACTS: 0.152 μ m [6 μ "] GOLD PLATED ON CONTACT AREA, GOLD FLASH ON SOLDER TAIL, 1.27 μ m [50 μ "] MIN. NICKEL UNDERPLATED OVERALL.
- 2.2 METAL PEG: 2.54 μ m [100 μ "] MIN. TIN PLATED.



RECOMMENDED PCB LAYOUT
PCB THICKNESS: 1.6mm
TOLERANCE: ±0.05mm (TOP VIEW)

RoHS Compliant

TOLERANCES ARE

MORETHANALL
PCB CONNECTORS
Cable ASSEMBLIES

煜倫股份有限公司

www.morethanall.com

DRAWING BY CY

CHECKED BY GENIUS

UNIT/ mm

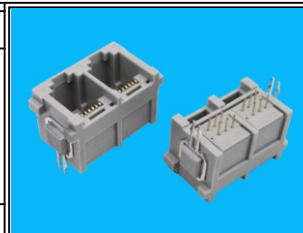
SCALE 1:1

DATE

SIZE A4

PJECTION

X. ±
.X ± 0.25
.XX ± 0.13
.XXX ± 0.05
ANG ±



ORDER INFORMATION

MJD15A2-GE06ZIM-0606-LF

SERIES

GRAY

CLIP

06u" GOLD

EAR

6P6C

INSERT MOLDING

LEADFREE

DESCRIPTION: RJ11, 2PORTS, TOP ENTRY, PCB GANDED JACK