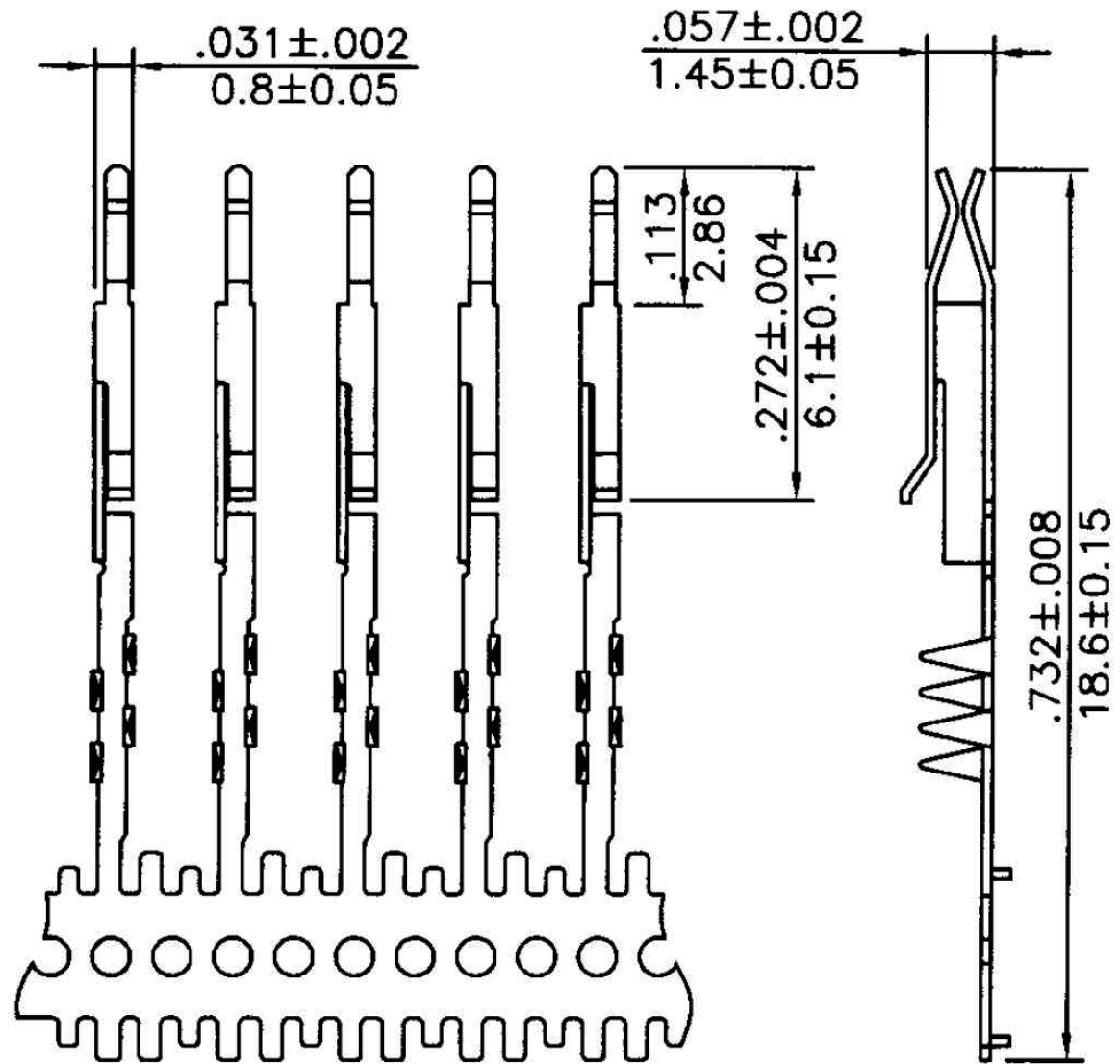


Crimp Female Terminal  
 Mates 0.40mm square pin.  
 Material: Phosphor Bronze  
 Finished: Tin Plated



**MORETHANALL**  
 PCB CONNECTORS  
 Cable ASSEMBLIES

煜倫股份有限公司

www.morethanall.com

RoHS Compliant

DRAWING BY CY

CHECKED BY GENIUS

UNIT/ mm

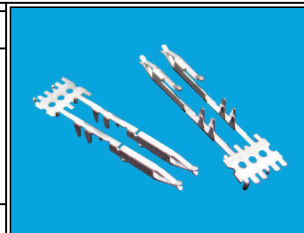
SCALE 1:1

DATE

SIZE A4

TOLERANCES ARE

X. ±  
 .X ±  
 .XX ±  
 .XXX ±  
 ANG ±



ORDER INFORMATION

MOD50F-F-LF

SERIES

FEMALE TERMINAL

LEADFREE

DESCRIPTION: