

NOTES:

1. ALL DIMENSIONS ARE "mm".
2. THE PRODUCT MUST BE COMPLY WITH THE DIRECTIVE OF ROHS.

ELECTRICAL TESTING:

1. 100% OPEN/SHORT TEST
2. CONTACT RESISTANCE: 5mΩ
3. INSULATION RESISTANCE: 5MΩ Min

NO.	ITEM.	DESCRIPTION	Q'TY
1	WIRE:	UL1007 #16 GREEN/YELLOW	1pcs
2	TERMINAL:	RT-NC37S-16	1pcs
3	TERMINAL:	RT-NC43S-16	1pcs

RoHS Compliant

TOLERANCES ARE

MORETHANALL
PCB CONNECTORS
Cable ASSEMBLIES

DRAWING BY CY

CHECKED BY GENIUS

UNIT / mm

SCALE 1:1

DATE

SIZE A4

X. ±
.X ±
.XX ±
.XXX ±
ANG ±

PPOJECTION



ORDER INFORMATION

RTX2-37SC43SCN16-15C-LF

SERIES

LEADFREE

150mm

16 AWG

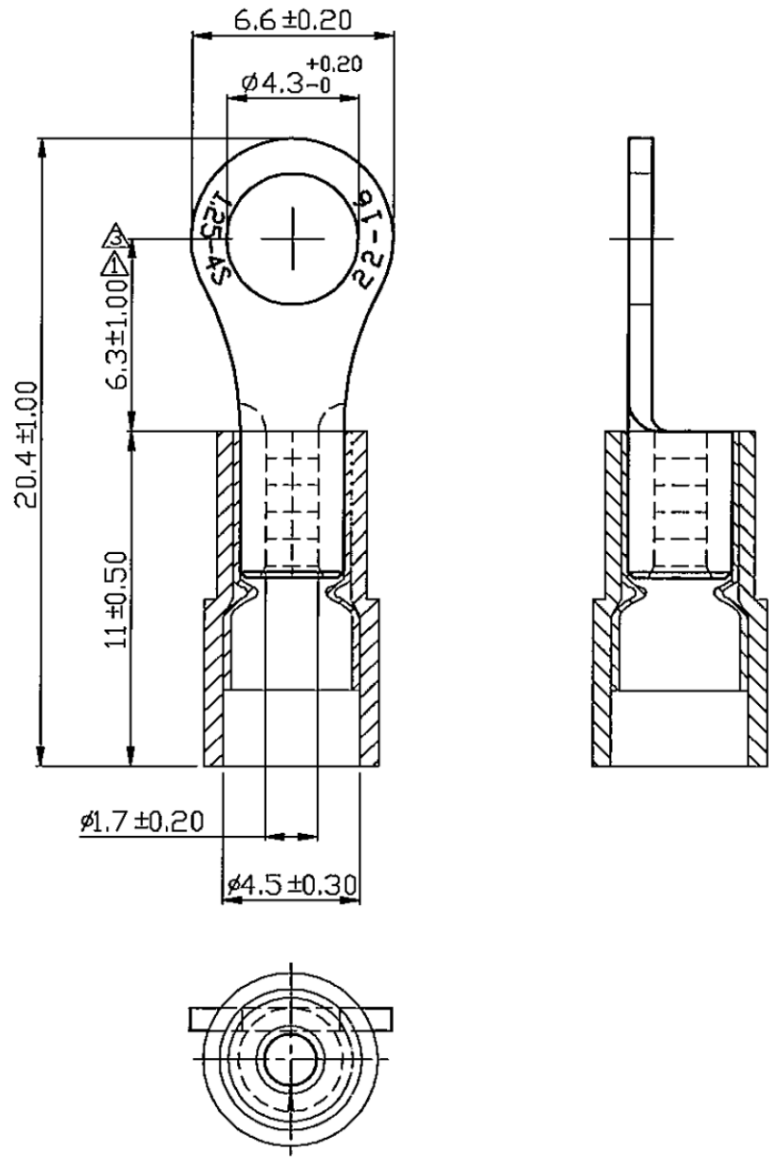
NYLON

3.7 dia+C TO 4.3 dia+C

煜倫股份有限公司

www.morethanall.com

DESCRIPTION: CABLE ASS'Y



- NOTE :
1. MAXIMUM ELECTRIC CURRENT :

A.W.G.	22	20	18	16
AMP.	9	12	17	18
 2. MAXIMUM ELECTRICAL RATING : 105°C 600 VOLTS MAX.
 3. INSULATION MATERIAL : NYLON
 4. INSULATION COLOR : RED
 5. TERMINAL MATERIAL : COPPER
 6. WIRE RANGE : 22-16 A.W.G. (0.5-1.5 mm²)
 7. TERMINAL SURFACE TREATMENT : TIN PLATED
 8. DOUBLE CRIMP : WITH COPPER SLEEVE ON BARREL
 9. TERMINAL THICKNESS : 0.75 mm



煜倫股份有限公司

www.morethanall.com

RoHS Compliant

DRAWING BY CY

CHECKED BY GENIUS

UNIT / mm SCALE 1 : 1

DATE

SIZE A4

TOLERANCES ARE

- X, ±
- .X ±
- .XX ±
- .XXX ±
- ANG ±

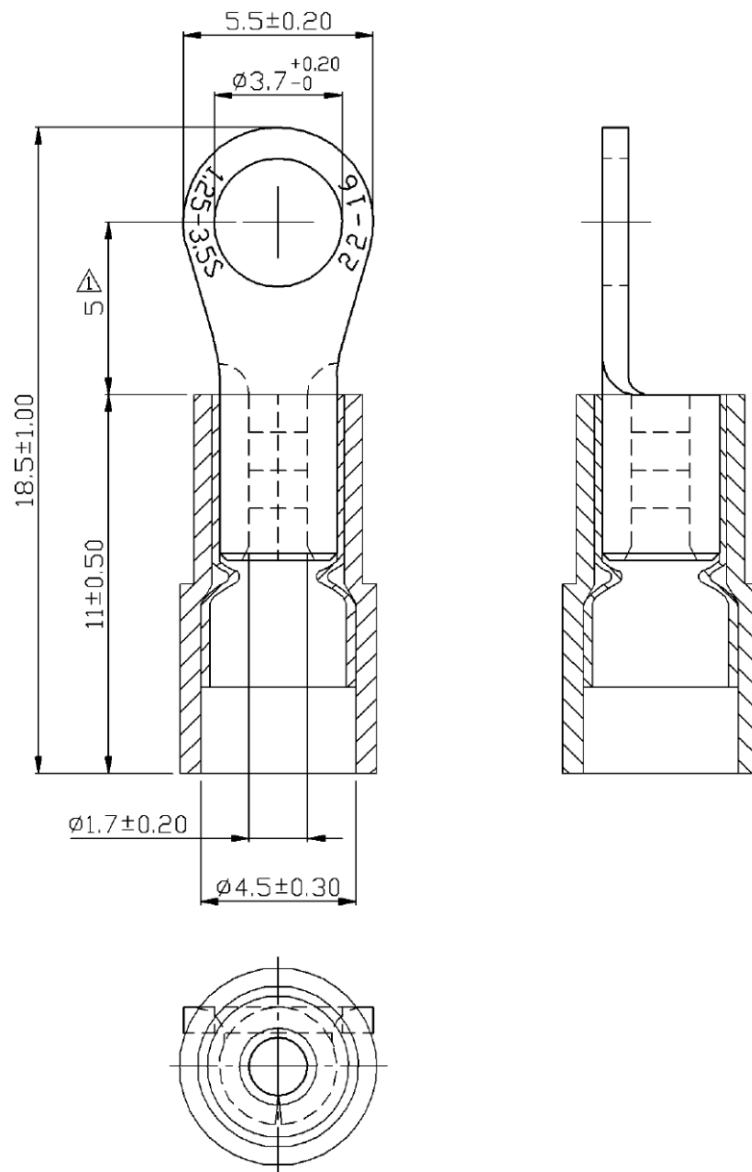
PPOJECTION



ORDER INFORMATION

RT-NC43S-16-LF
 SERIES | 4.3 dia | LEADFREE
 16 AWG
 NYLON+C

DESCRIPTION:



NOTE :

1. MAXIMUM ELECTRIC CURRENT :

A.W.G.	22	20	18	16
AMP.	9	12	17	18
2. MAXIMUM ELECTRICAL RATING : 105°C 600 VOLTS MAX.
3. INSULATION MATERIAL : NYLON
4. INSULATION COLOR : RED
5. TERMINAL MATERIAL : COPPER
6. WIRE RANGE : 22-16 A.W.G. (0.5-1.5 mm²)
7. DOUBLE CRIMP : WITH COPPER SLEEVE ON BARREL
8. TERMINAL SURFACE TREATMENT : TIN PLATED
9. TERMINAL THICKNESS : 0.75 mm

RoHS Compliant

TOLERANCES ARE

MORETHANALL
PCB CONNECTORS
Cable ASSEMBLIES

DRAWING BY CY

X. ±

CHECKED BY GENIUS

.X ±

UNIT / mm

SCALE 1 : 1

.XX ±

DATE

.XXX ±

ANG ±

SIZE A4

PPOJECTION

照片框

ORDER INFORMATION

RT-NC37S-16-LF

SERIES	3.7 dia	LEADFREE
		16 AWG
NYLON+C		

煜倫股份有限公司

www.morethanall.com

DESCRIPTION: