

**NOTES:**

**\*Material**

Housing: LCP, UL 94V-0 Rated. Color: Black.  
 Contact: Brass.  
 Plating: Au Plating On Contact Area;  
 Sn(100u" Min.) Plating On Solder Tail;  
 Ni(50u" Min.) Underplating Overall

**\*Mechanical**

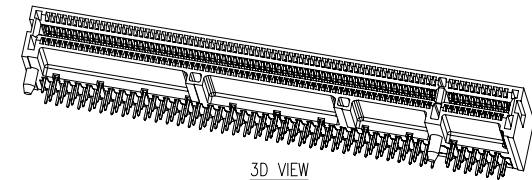
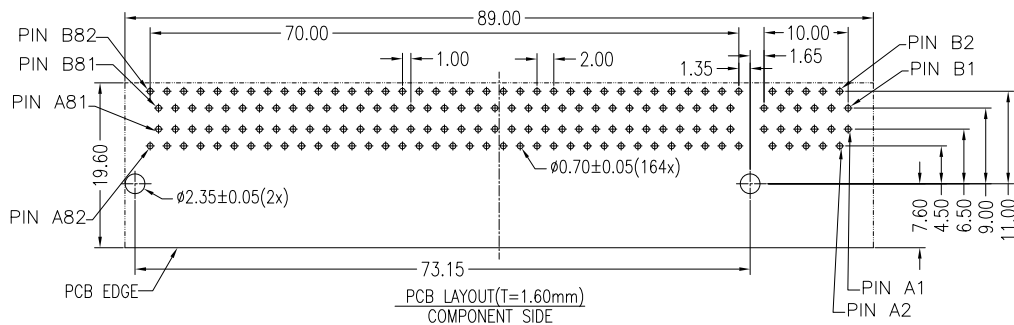
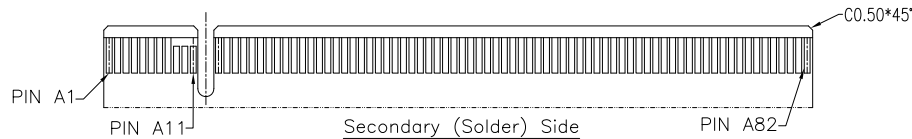
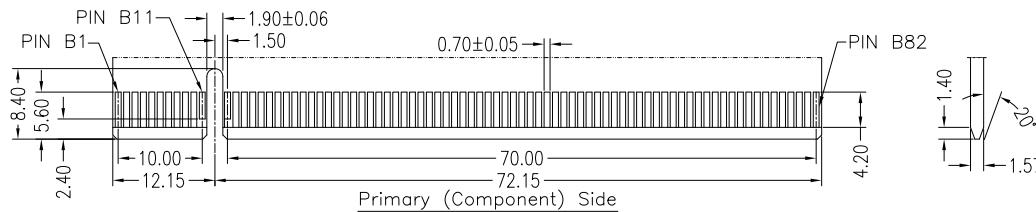
Insertion Force: 1.15N max per contact pair;  
 Withdrawal Force: 0.15N min per contact pair;  
 Contact Retention Force: 4.9N min per contact;

**\*Electrical Specification**

Contact Resistance : 30mΩ Max.  
 Current Resistance : 1.1 Ampere  
 Insulation Resistance : 1000MΩ Min, At 500V AC.

**\*Environmental**

Operating Temperature : -55°C to +105°C



**RoHS Compliant**

TOLERANCES ARE

**MORETHANALL**  
 PCB CONNECTORS  
 Cable ASSEMBLIES

DRAWING BY CY

CHECKED BY GENIUS

UNIT / mm

SCALE 1 : 1

DATE

SIZE A4

PPOJECTION

X, ±  
 .X ± 0.35  
 .XX ± 0.25  
 .XXX ± 0.15  
 ANG ± 3°



**ORDER INFORMATION**

**PCIX3-RP-164-LF**  
 SERIES | LEADFREE  
 | 164 WAY  
 POST  
 DIP 90°

**煜倫股份有限公司**

[www.morethanall.com](http://www.morethanall.com)

DESCRIPTION: PCI EXPRESS R/A DIP TYPE (GEN3) 164PIN (Right key)