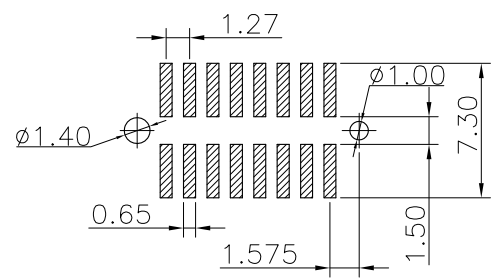


Specifications
 Current Rating:1.0Amp
 Insulation Resistance:1000MΩMin.
 Dielectric Withstanding Voltage:300VAC
 Contact Resistance:20mΩMax.
 Operating Temperature:-40°C to +105°C
 Materials
 Contact Material:Phosphor Bronze
 Insulator Material:High Temperature Thermoplastic, UL 94V-0 LCP or the equivalent material

Recommended P.C.Board Layout
 (Tolerance:±0.05)

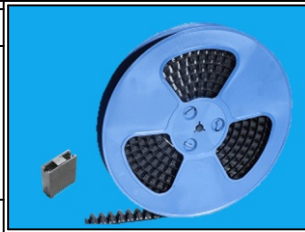


RoHS Compliant

TOLERANCES ARE

MORETHANALL
 PCB CONNECTORS
 Cable ASSEMBLIES
 煜倫股份有限公司
 www.morethanall.com

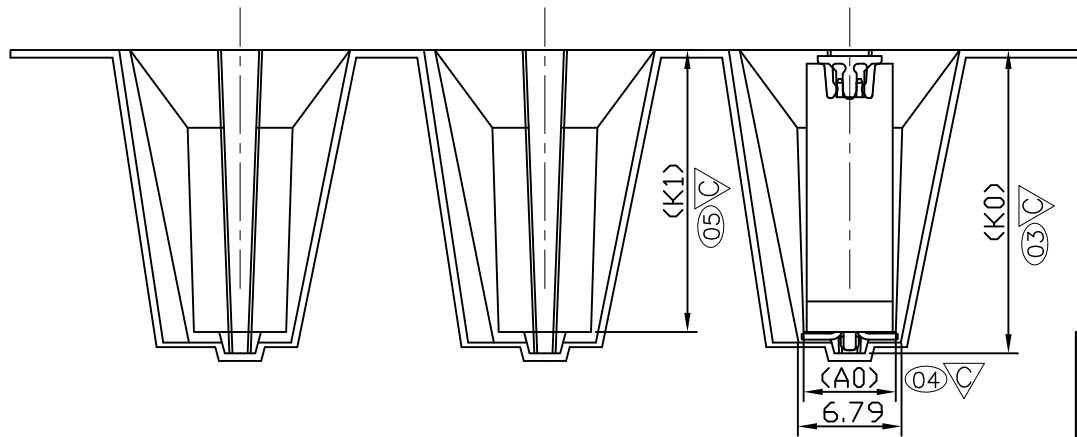
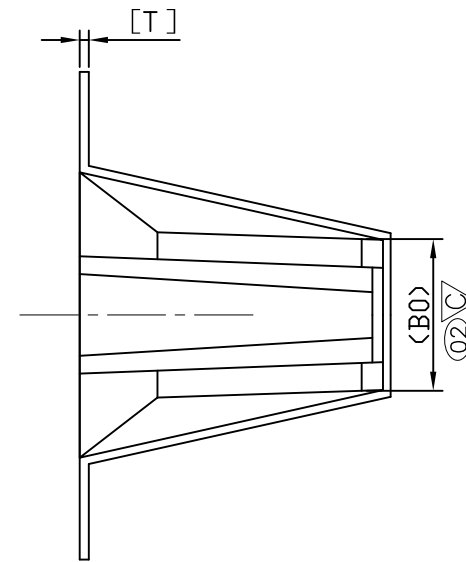
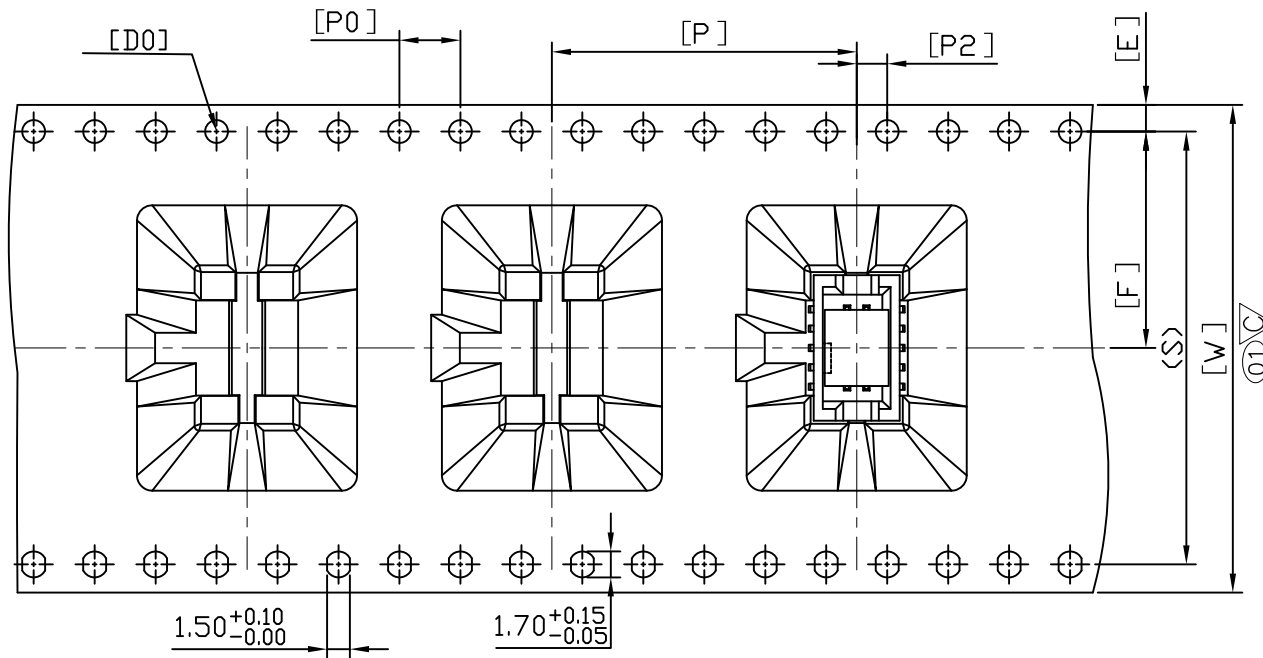
| | | |
|-------------------|--------------|-------------|
| DRAWING BY CY | | X ± 0.30 |
| CHECKED BY GENIUS | | .X ± 0.25 |
| UNIT / mm | SCALE 1 : 1 | .XX ± 0.15 |
| DATE | | .XXX ± 0.10 |
| SIZE A4 | P PROJECTION | ANG ± |



ORDER INFORMATION

PAB-V140PCR-2Xxx-LF
 SERIES | LEADFREE
 180°SMT | 2X05:10 WAY
 14.0mm HIGH | REEL | CAP | POST
 2X40:080 WAY

DESCRIPTION:1.27 BOX HEADER DUAL ROWS SMT TYPE CONNECTOR



- 註：
1. 本产品符合EIA-481-B规范.
 2. 每10个链孔间距的累计公差为±0.20mm.
 3. 载带弧度每250mm不超过1mm.
 4. 材质:黑色 PS.
 5. 13英寸盘子每盘长度:3.6M.
 6. 13英寸盘子每盘包装数量:130PCS.
 7. 標示" (XX) " 為全尺寸測量部位.
 8. 標示" C " 為QC重點管制部位.

| | | | | | | | | | |
|---|---|---|------------|----|--------------------------------------|----|------------|----|------------|
| W | 32.00 ^{+0.30} _{-0.30} | T | 0.50±0.05 | P0 | 4.00±0.10 | A0 | 6.05±0.10 | A1 | |
| S | 28.40±0.10 | F | 14.20±0.10 | P2 | 2.00±0.15 | B0 | 9.95±0.10 | B1 | |
| E | 1.75±0.10 | P | 20.00±0.10 | D0 | ∅1.50 ± ₀ ^{0.10} | K0 | 19.90±0.10 | K1 | 18.50±0.10 |

RoHS Compliant

TOLERANCES ARE

MORETHANALL
PCB CONNECTORS
Cable ASSEMBLIES
煜倫股份有限公司

DRAWING BY CY

X, ± 0.30

CHECKED BY GENIUS

X, ± 0.25

UNIT / mm

SCALE 1 : 1

.XX ± 0.15

DATE

.XXX ± 0.10

ANG ±

SIZE A4

P PROJECTION



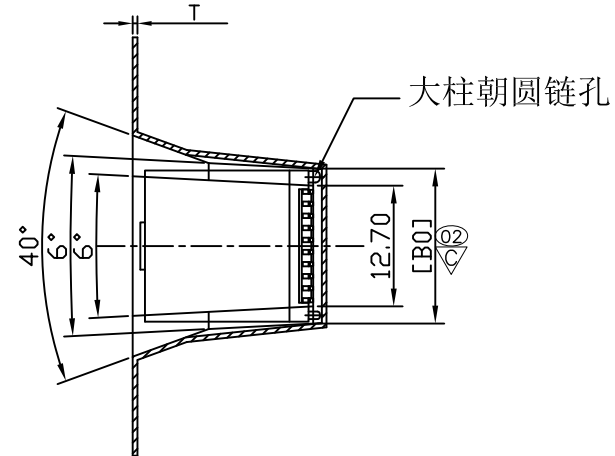
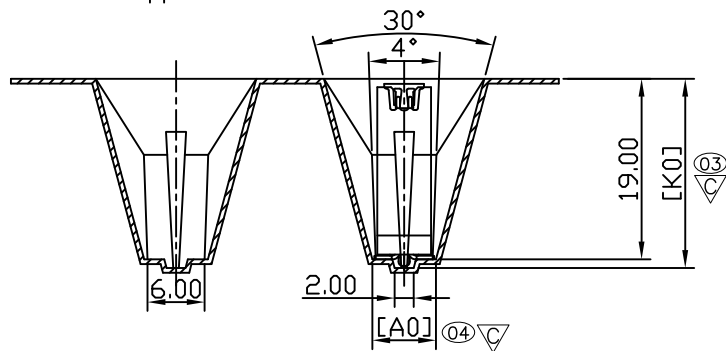
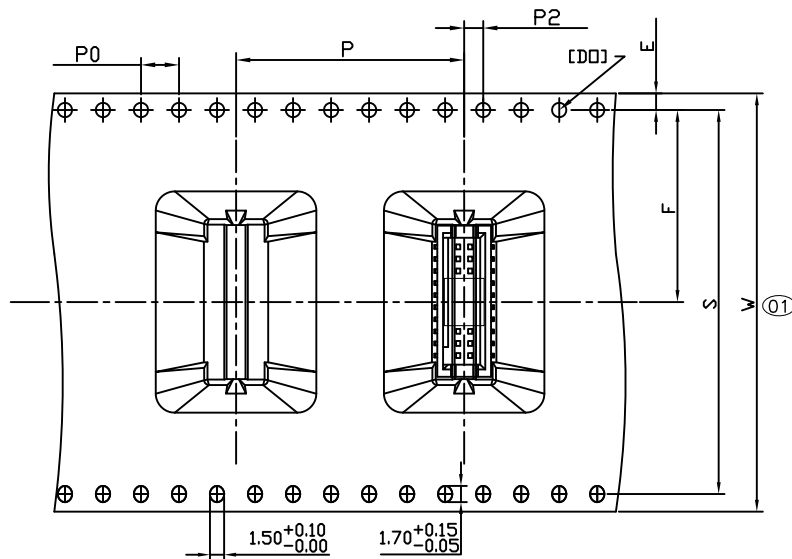
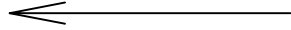
ORDER INFORMATION

PAB-V140PCR-2Xxx-LF
SERIES | LEADFREE
2X05:10 WAY
2X40:080 WAY
180°SMT | REEL
14.0mm HIGH | CAP POST

DESCRIPTION: 2X05 捲裝

www.morethanall.com

封裝時收料方向



Notes:

1. Packing Conforms EIA-481-B Standards.
2. 10 sprocket hole pitch cumulative
3. Carrier camber is within 1mm in 250mm.
4. Material: BLACK Polystyrene.
5. Packing length per 13" Reel: 3.4 Meters.
6. Component load per 13" Reel: 100 PCS.
7. "XX" SHOULD BE MEASURED BY FAI.
8. "▽" MUST BE CONTROLLED BY QC.

| | | | | | | | |
|---|---|---|------------|----|--|----|------------|
| W | 44.00 ^{+0.30} / _{-0.30} | T | 0.50±0.05 | Po | 4.00±0.10 | Ao | 6.70±0.10 |
| S | 40.40±0.10 | F | 20.20±0.15 | P2 | 2.00±0.15 | Bo | 16.30±0.10 |
| E | 1.75±0.10 | P | 24.00±0.10 | Do | ∅1.50 ± ^{0.10} / ₀ | Ko | 19.90±0.10 |

RoHS Compliant

TOLERANCES ARE

MORETHANALL
PCB CONNECTORS
Cable ASSEMBLIES

煜倫股份有限公司

www.morethanall.com

DRAWING BY CY

CHECKED BY GENIUS

UNIT / mm

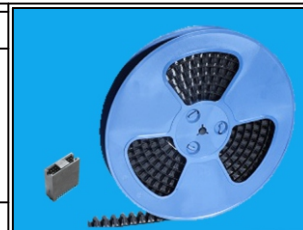
SCALE 1 : 1

DATE

SIZE A4

X, ± 0.30
X, ± 0.25
.XX ± 0.15
.XXX ± 0.10
ANG ±

P PROJECTION



ORDER INFORMATION

PAB-V140PCR-2Xxx-LF
SERIES | LEADFREE
2X05:10 WAY
2X40:080 WAY
180°SMT | REEL
14.0mm HIGH | CAP
POST

DESCRIPTION: 2X10 捲裝