

- NOTES:
- MATERIAL:**  
HOUSING: HIGH TEMPERATURE THERMO PLASTIC UL94V-0  
TERMINAL: COPPER ALLOY  
SOLDER PEG: COPPER ALLOY
  - FINISH:**  
TERMINAL:  
CONTACT AREA: SEE CHARTS  
SOLDERING AREA: SEE CHARTS  
UNDER PL.: NICKEL PL. 50  $\mu$ " THK MIN.
  - THIS PRODUCT DOESN'T CONTAIN ENVIRONMENTAL HAZARDOUS PER DIRECTIVE 2002/95/EC FOR RoHS COMPLIANT.

RoHS Compliant

TOLERANCES ARE

**MORETHANALL**  
PCB CONNECTORS  
Cable ASSEMBLIES

DRAWING BY CY

X,  $\pm$

CHECKED BY GENIUS

.X,  $\pm$

UNIT / mm

SCALE 1 : 1

.XX,  $\pm$

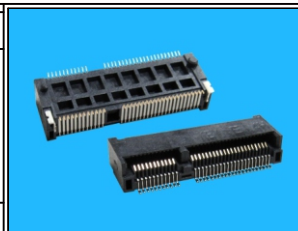
DATE

.XXX,  $\pm$

ANG,  $\pm$

SIZE A4

PJECTION



ORDER INFORMATION

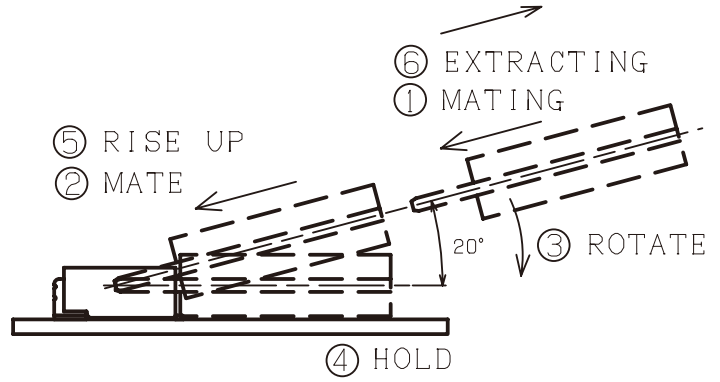
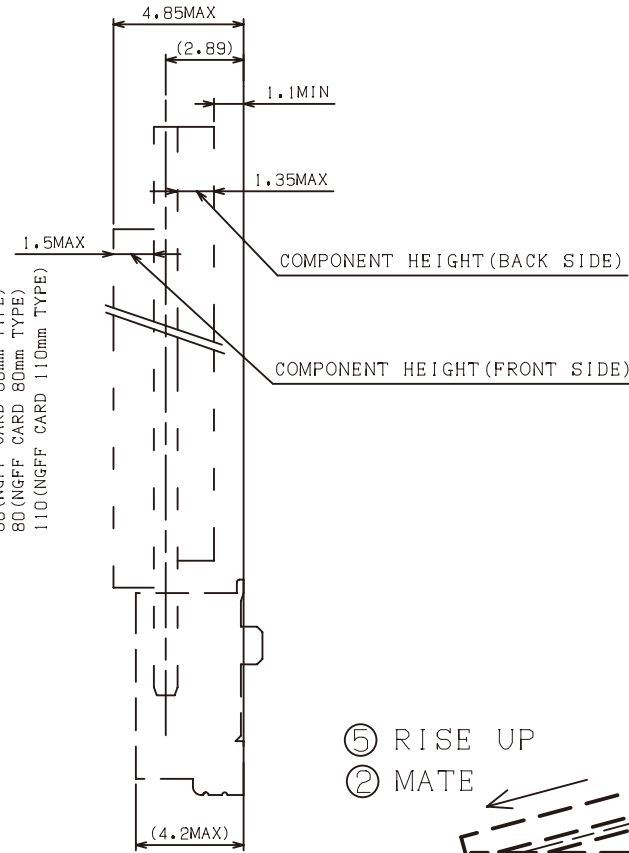
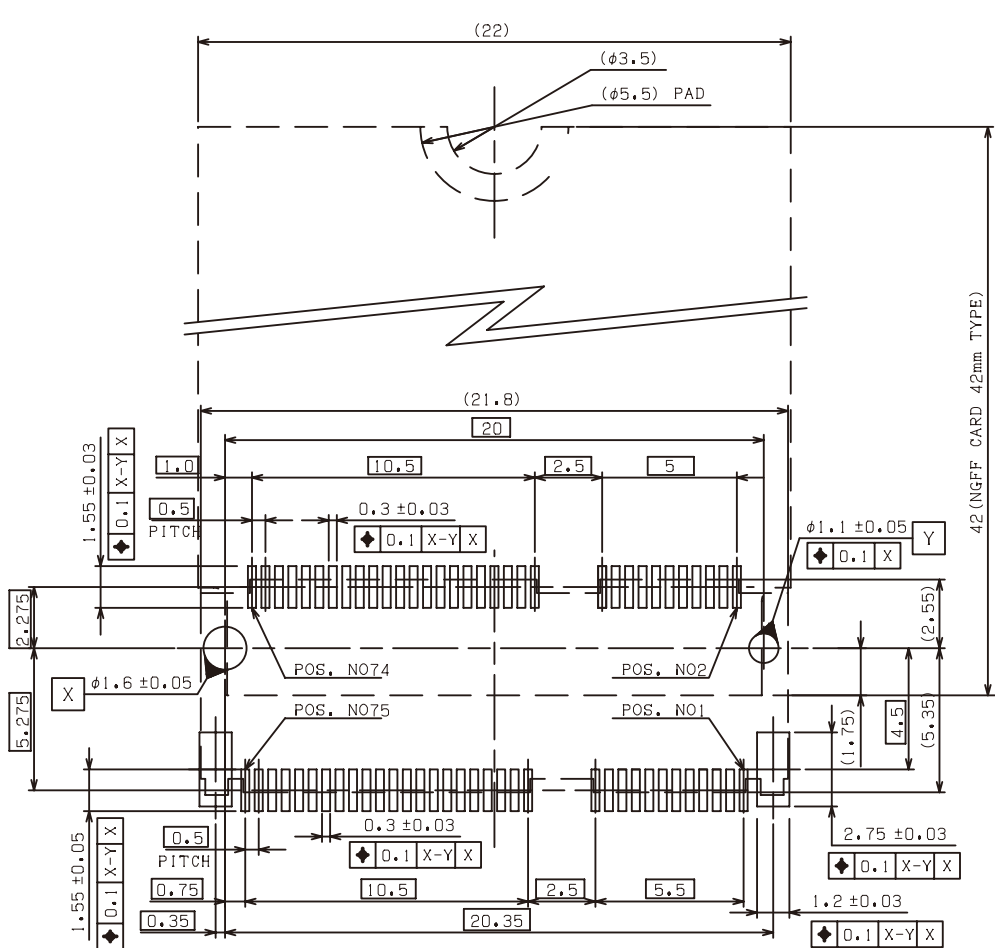
NGFF-W42-2344-LF

SERIES | LEADFREE  
23+44 WAY  
HIGH 4.2mm  
90°SMT

煜倫股份有限公司

www.morethanall.com

DESCRIPTION: M,2 CONNECTOR KEY ID "E"



KEY ID "E"  
RECOMMENDED P.C. BOARD LAYOUT

**RoHS Compliant**

TOLERANCES ARE



煜倫股份有限公司

www.morethanall.com

DRAWING BY CY

CHECKED BY GENIUS

UNIT / mm SCALE 1:1

DATE

SIZE A4

X. ±  
.X ±  
.XX ±  
.XXX ±  
ANG ±

PJECTION

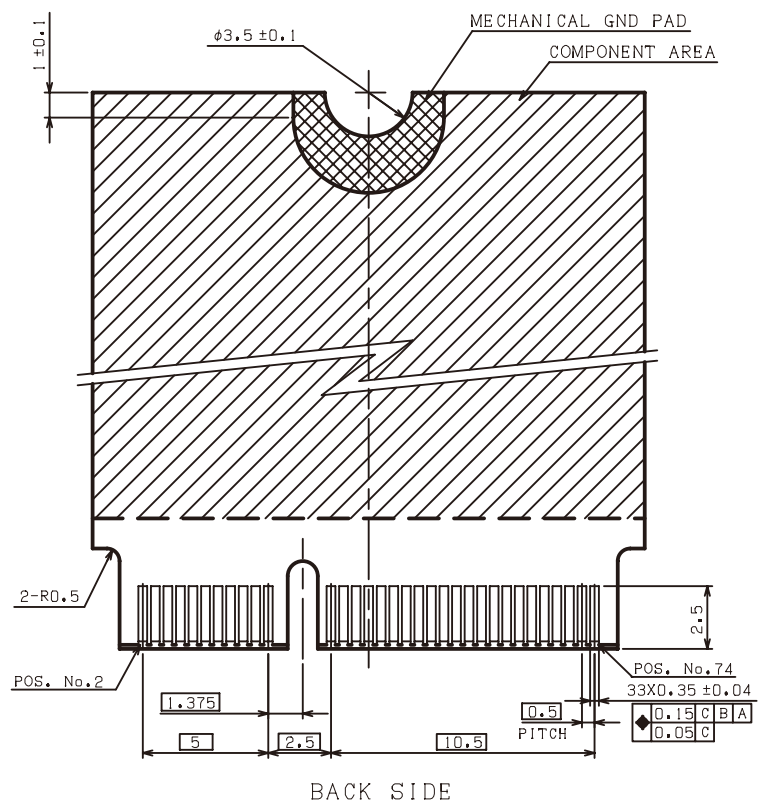
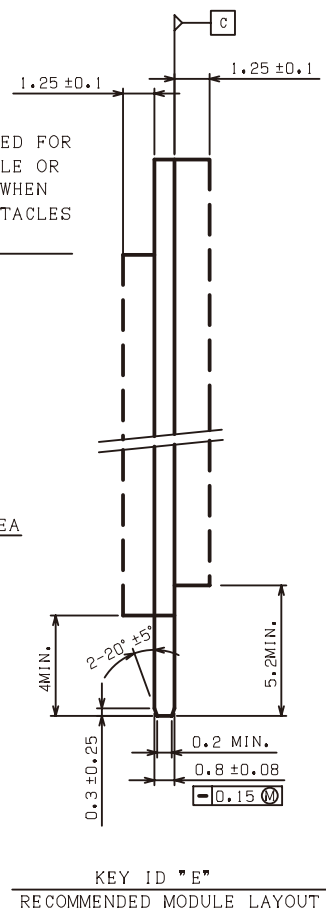
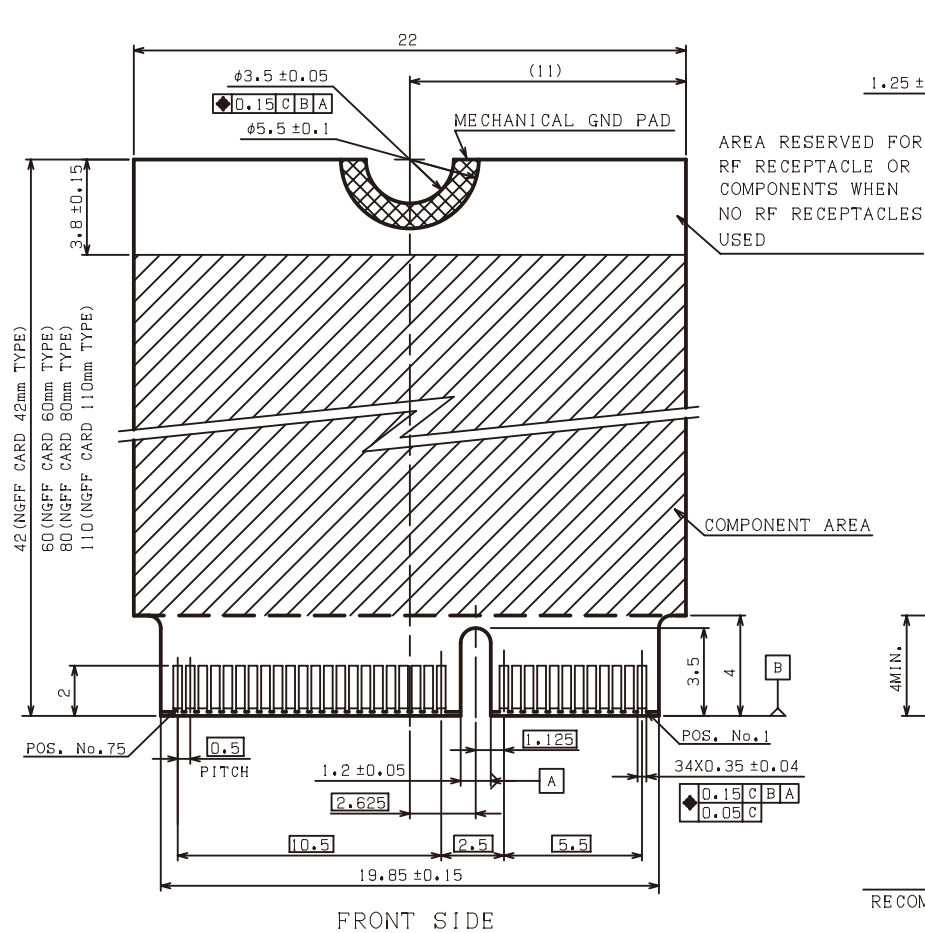


**ORDER INFORMATION**

NGFF-W42-2344-LF

SERIES | LEADFREE  
23+44 WAY  
HIGH 4.2mm  
90°SMT

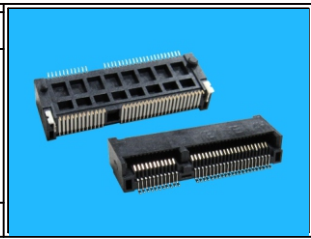
DESCRIPTION: M,2 CONNECTOR KEY ID "E"



**RoHS Compliant**

**MORETHANALL**  
PCB CONNECTORS  
Cable ASSEMBLIES  
煜倫股份有限公司  
www.morethanall.com

DRAWING BY CY		TOLERANCES ARE X. ± .X ± .XX ± .XXX ± ANG ±
CHECKED BY GENIUS		
UNIT / mm	SCALE 1 : 1	
DATE		
SIZE A4	PJECTION	



**ORDER INFORMATION**

NGFF-W42-2344-LF  
SERIES | LEADFREE  
23+44 WAY  
HIGH 4.2mm  
90°SMT

DESCRIPTION: M,2 CONNECTOR KEY ID "E"