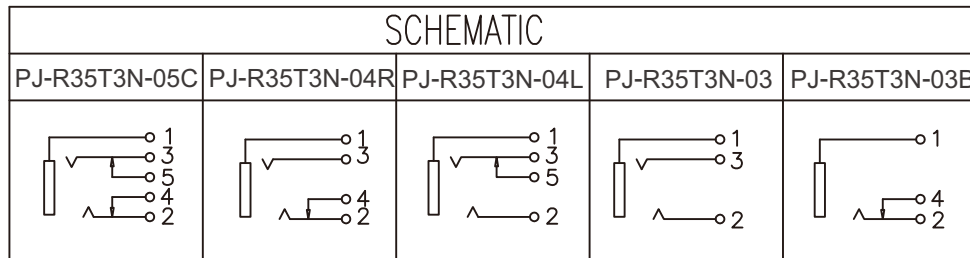


T:1.6 Dimensions of PC board holes  
Tolerance : ±0.1(Printed-top view)

SCHEMATIC



UNLESS OTHERWISE SPECIFIED, TOLERANCE ON DECIMAL: ±0.3

8	HOUSING	1	PBT 4815	UL-94V0
7	COVER	1	PBT 4815	UL-94V0
6	AXIS SUPPORT	1	H59(COPPER ALLOY)	MB:Cu Ni PLATED
5	5# CONTACT FOOT	1	C5191 t=0.3	MB:Cu Sn PLATED
4	4# CONTACT FOOT	1	C2680 t=0.4	MB:Cu Sn PLATED
3	3# CONTACT FOOT	1	C2680 t=0.4	MB:Cu Sn PLATED
2	2# CONTACT FOOT	1	C5191 t=0.25	MB:Cu Sn PLATED
1	1# CONTACT FOOT	1	C2680 t=0.5	MB:Cu Sn PLATED
LTR	PART NAME	QTY	MATERIAL	REMARK

RoHS Compliant

TOLERANCES ARE

**MORETHANALL**  
PCB CONNECTORS  
Cable ASSEMBLIES

煜倫股份有限公司

www.morethanall.com

DRAWING BY CY

CHECKED BY GENIUS

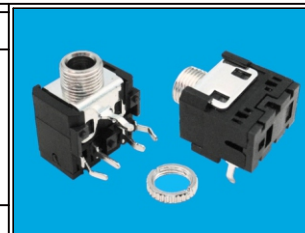
UNIT/mm SCALE 1:1

DATE

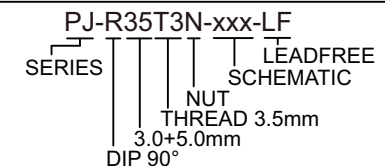
SIZE A4

X.±  
.X±  
.XX±  
.XXX±  
ANG±

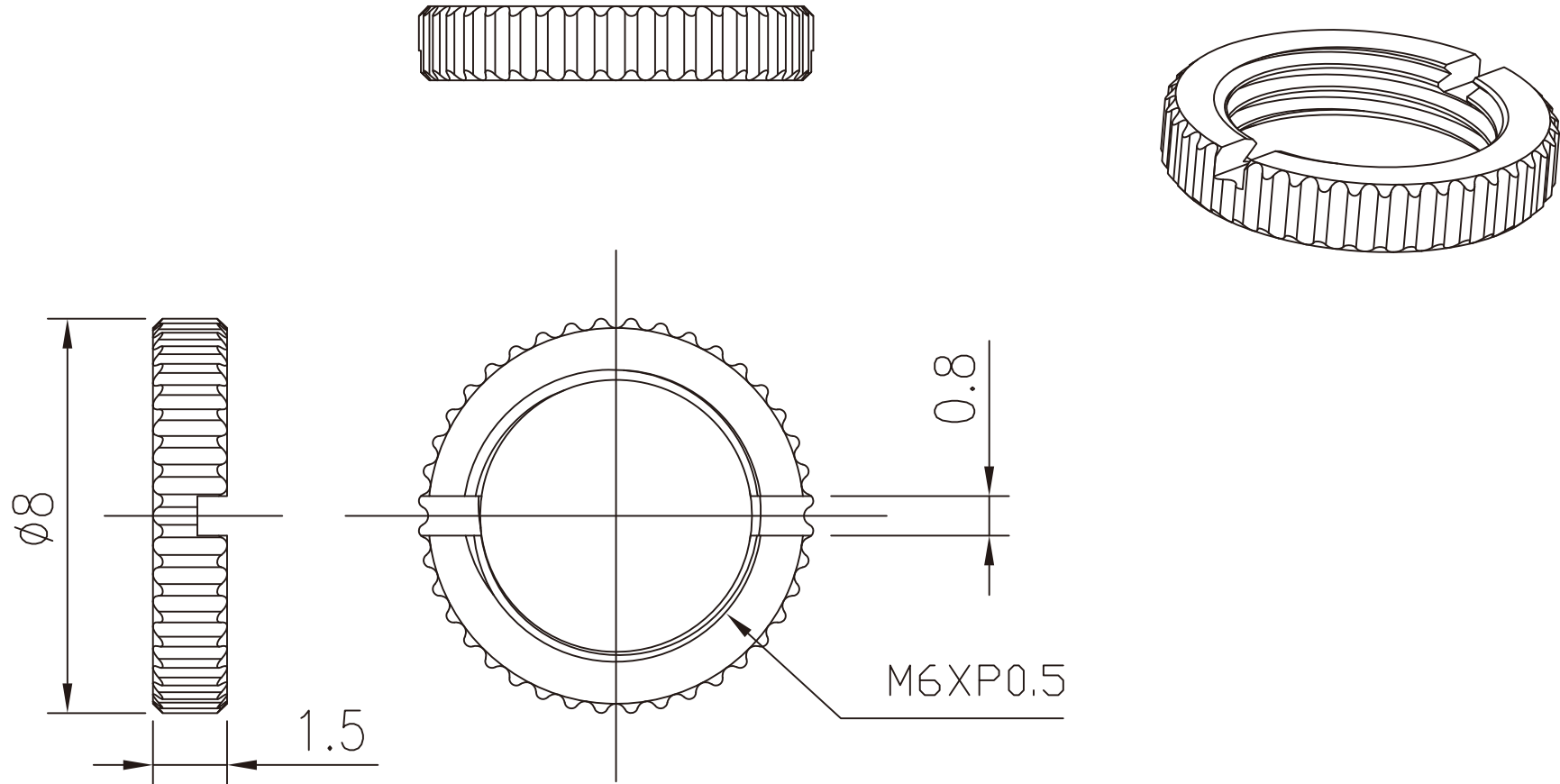
PPOJECTION



ORDER INFORMATION



DESCRIPTION: MINIATURE JACK



UNLESS OTHERWISE SPECIFIED, TOLERANCE ON DECIMAL:  $\pm 0.3$

RoHS Compliant

TOLERANCES ARE

**MORETHANALL**  
PCB CONNECTORS  
Cable ASSEMBLIES

DRAWING BY CY

X.  $\pm$

CHECKED BY GENIUS

.X  $\pm$

UNIT/ mm

SCALE 1:1

.XX  $\pm$

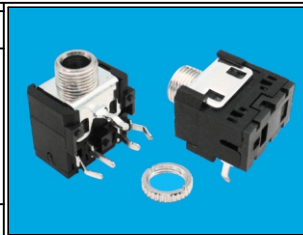
DATE

.XXX  $\pm$

ANG  $\pm$

SIZE A4

PPOJECTION



ORDER INFORMATION

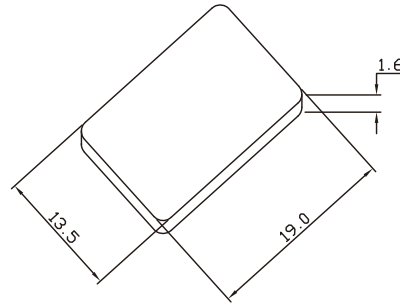
PJ-R35T3N-xxx-LF  
 SERIES | NUT | LEADFREE SCHEMATIC  
 THREAD 3.5mm  
 3.0+5.0mm  
 DIP 90°

DESCRIPTION: MINIATURE JACK

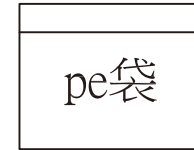
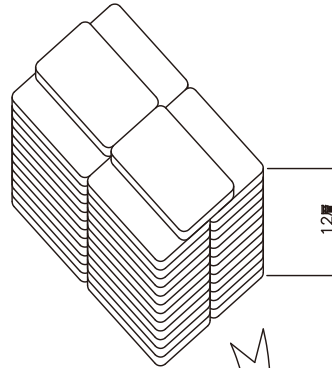
煜倫股份有限公司

www.morethanall.com

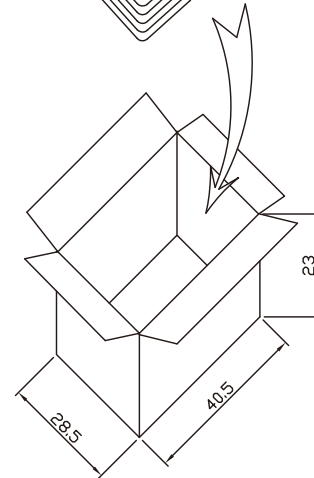
一.塑膠盒  
=100pcs/盒



二.紙箱  
=4X12X100+200  
=5000 PCS



一袋裝1000螺母



一箱裝5袋  
即5000螺母

淨重:12 Kg  
毛重:13Kg

單位: cm

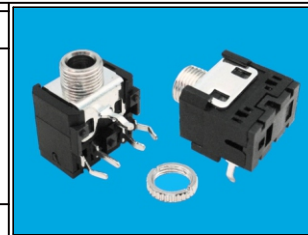
RoHS Compliant

TOLERANCES ARE

**MORETHANALL**  
PCB CONNECTORS  
Cable ASSEMBLIES

DRAWING BY CY  
CHECKED BY GENIUS  
UNIT/ mm SCALE 1:1  
DATE

X. ±  
.X ±  
.XX ±  
.XXX ±  
ANG ±



ORDER INFORMATION

PJ-R35T3N-xxx-LF  
SERIES | NUT | LEADFREE SCHEMATIC  
THREAD 3.5mm  
3.0+5.0mm  
DIP 90°

煜倫股份有限公司

www.morethanall.com

SIZE A4

PPOJECTION

DESCRIPTION: MINIATURE JACK